

8 7 6 5 4 3 2 1

D

D

C

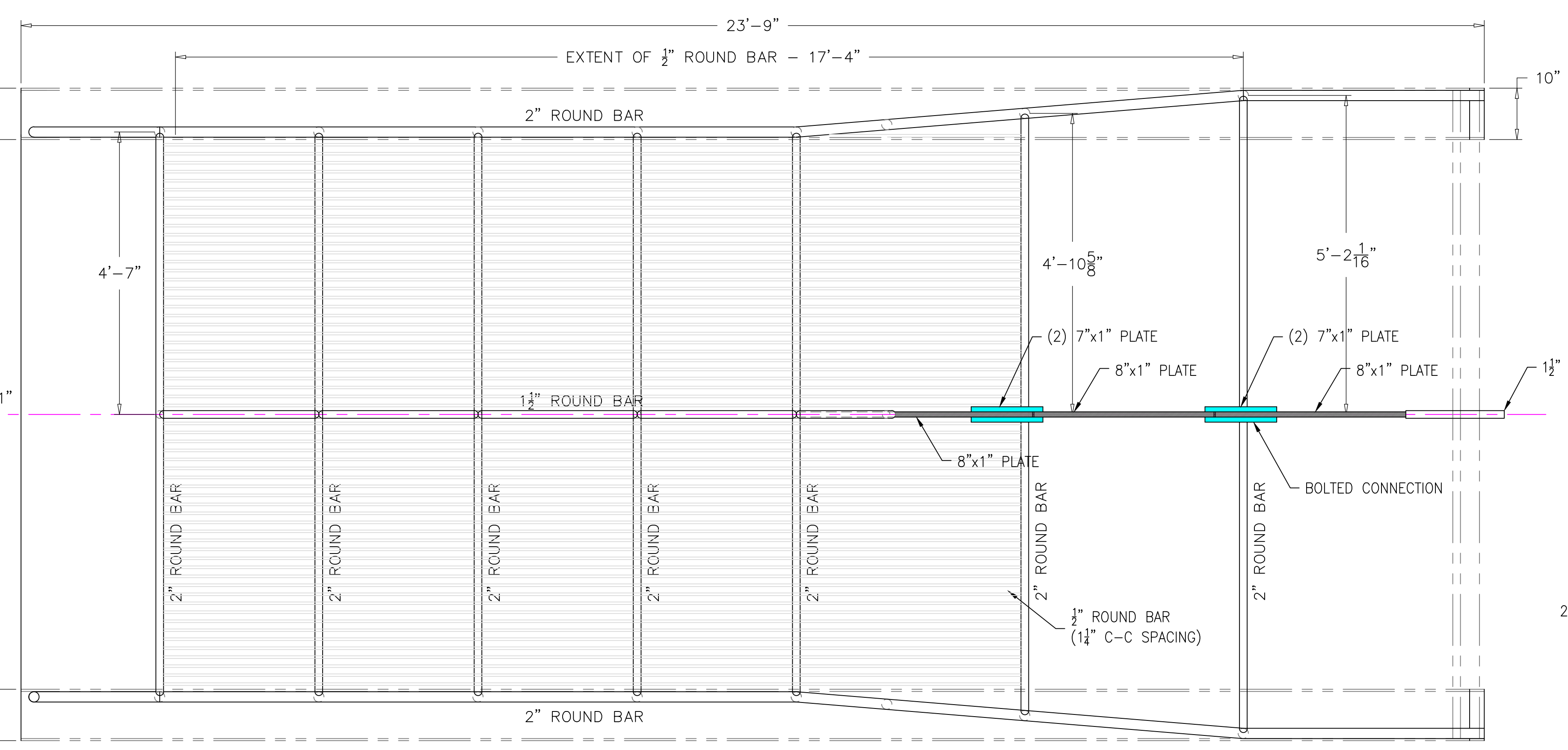
C

B

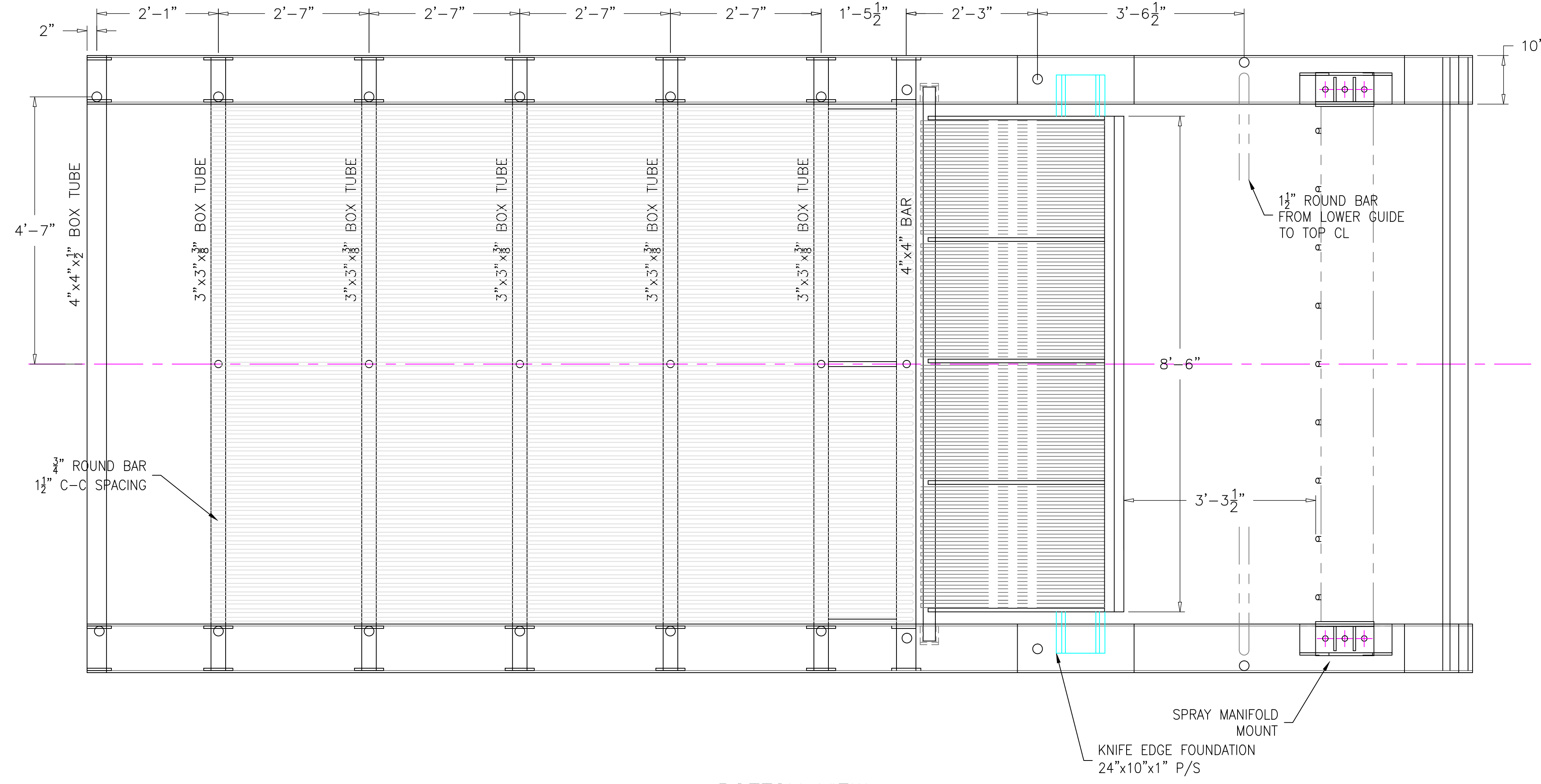
B

A

A



CLAM DOOR DETAILS
LOOKING DOWN



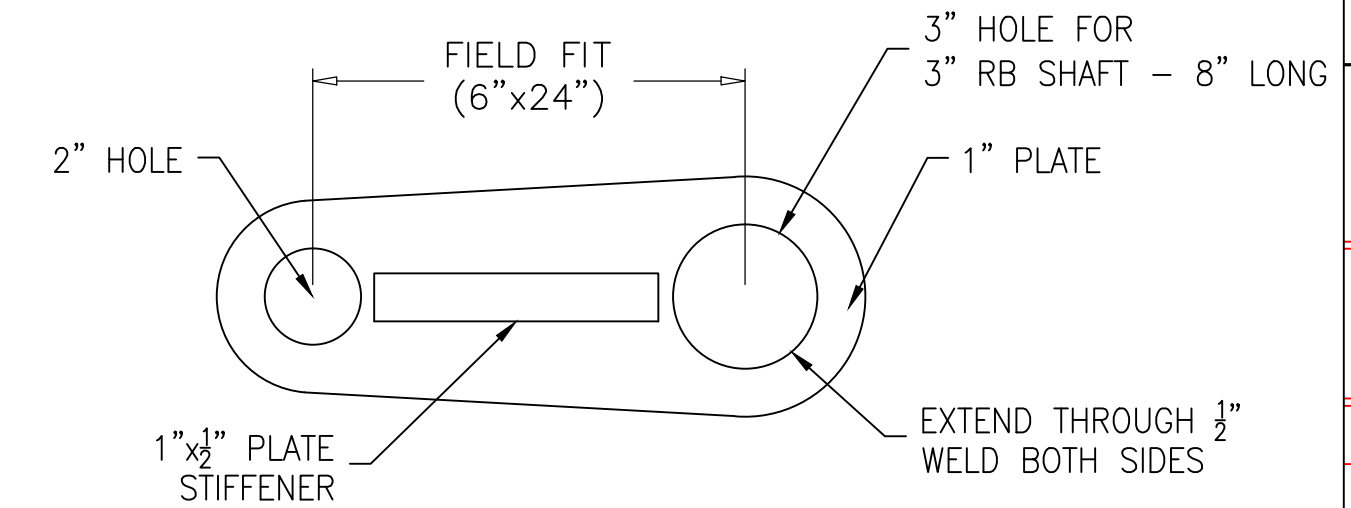
BOTTOM VIEW
LOOKING DOWN

GENERAL NOTES

CONSTRUCT DREDGE ON PLATEN TO ENSURE NO TWIST OR BOW. AFTER CONSTRUCTION OF FRAME AND RUNNERS, CUT DREDGE LOOSE AND WELD AR500 HARD PLATES TO BOTTOM OF CHANNEL RUNNERS.

USE 11018 (OR EQUIVALENT) STICK FOR WELDING AR500 HARD PLATE TO A-36 CHANNEL. IF WIRE FEED USED, ENSURE EQUIVALENCY TO NOTED ROD TYPE.

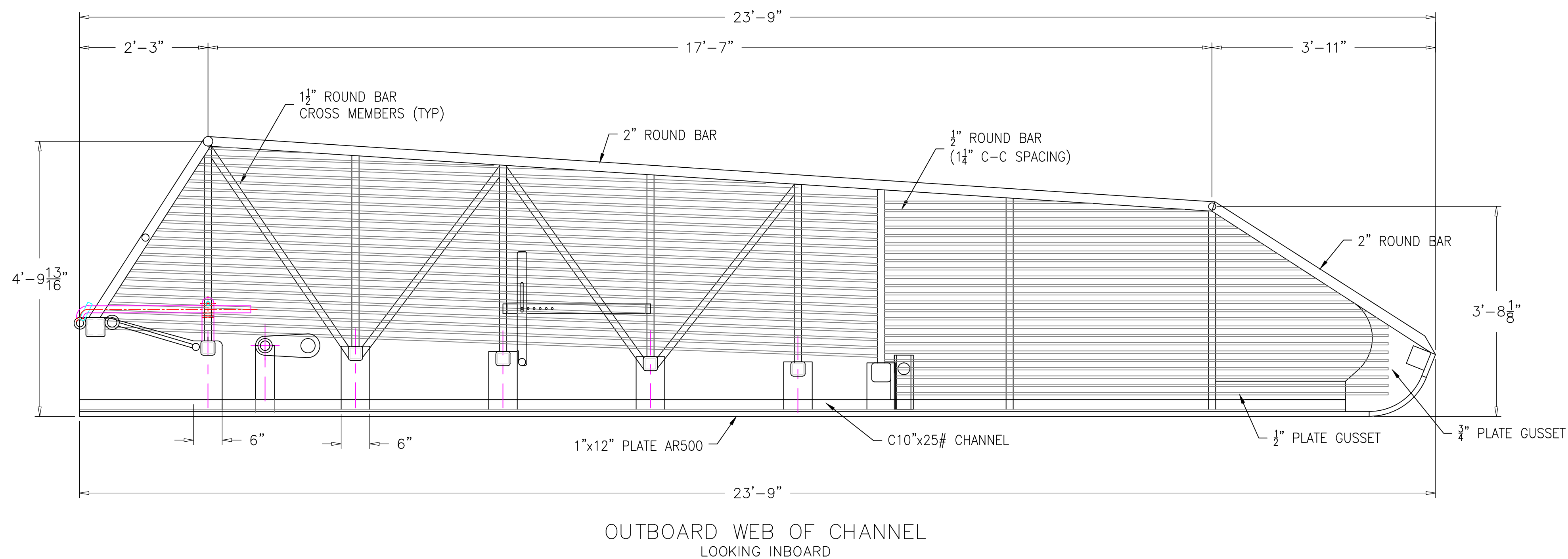
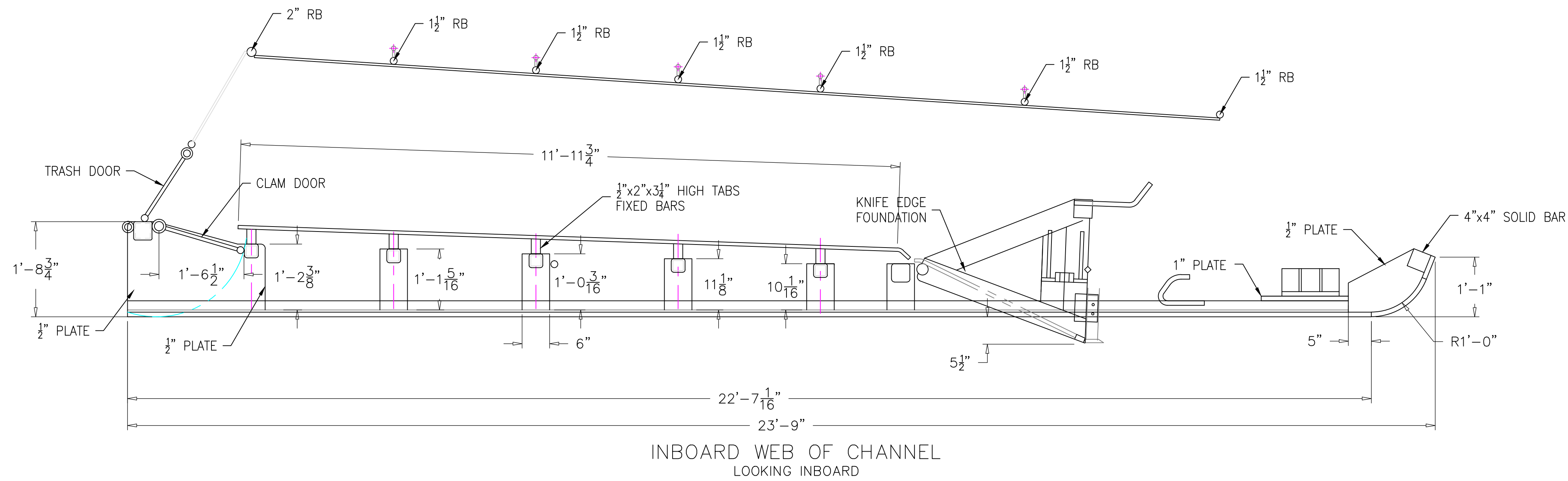
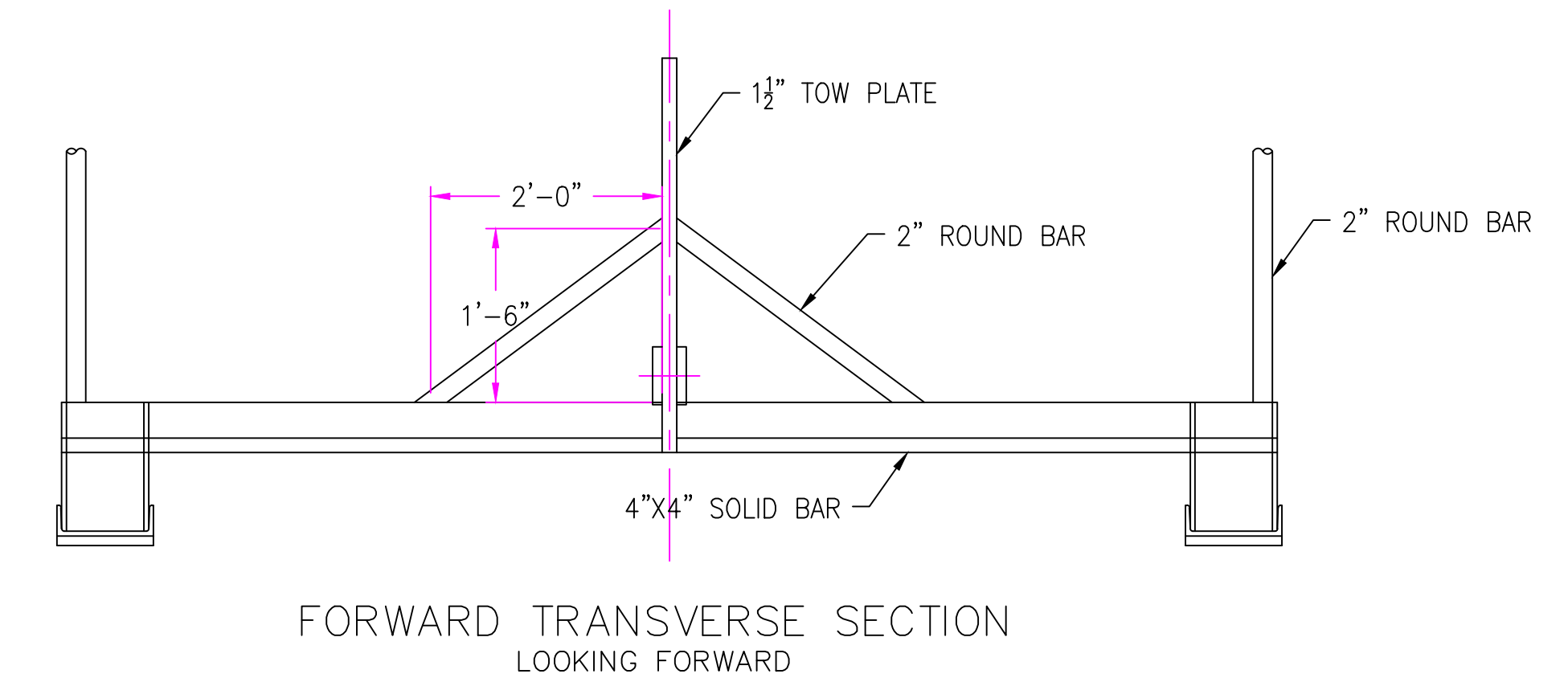
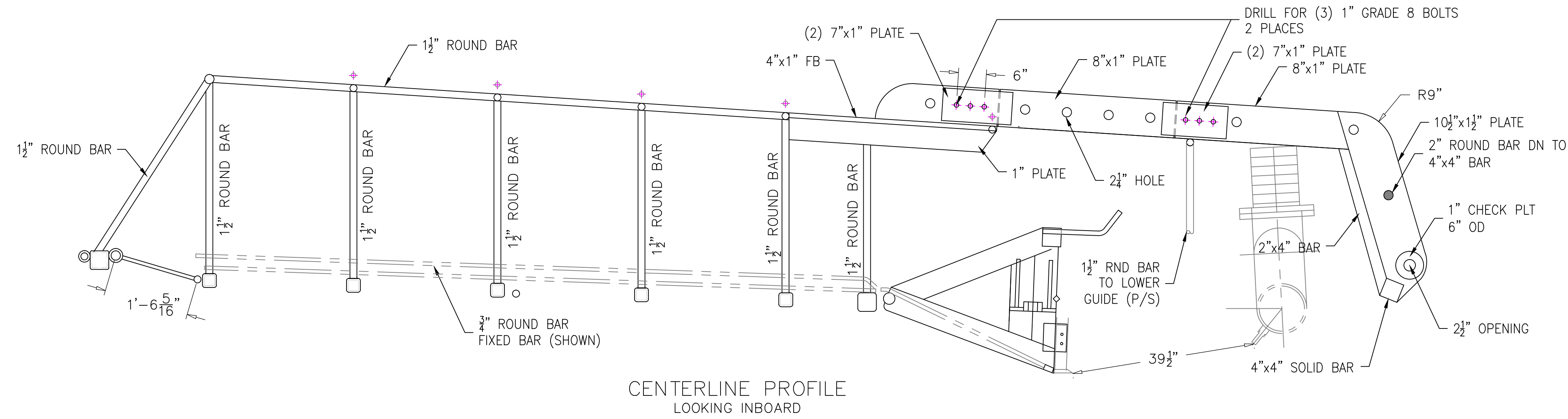
ALL MATERIAL TO BE A-36 STEEL UNLESS NOTED. ALL WELDING TO BE 3/8" CONTINUOUS FILLET WELDING



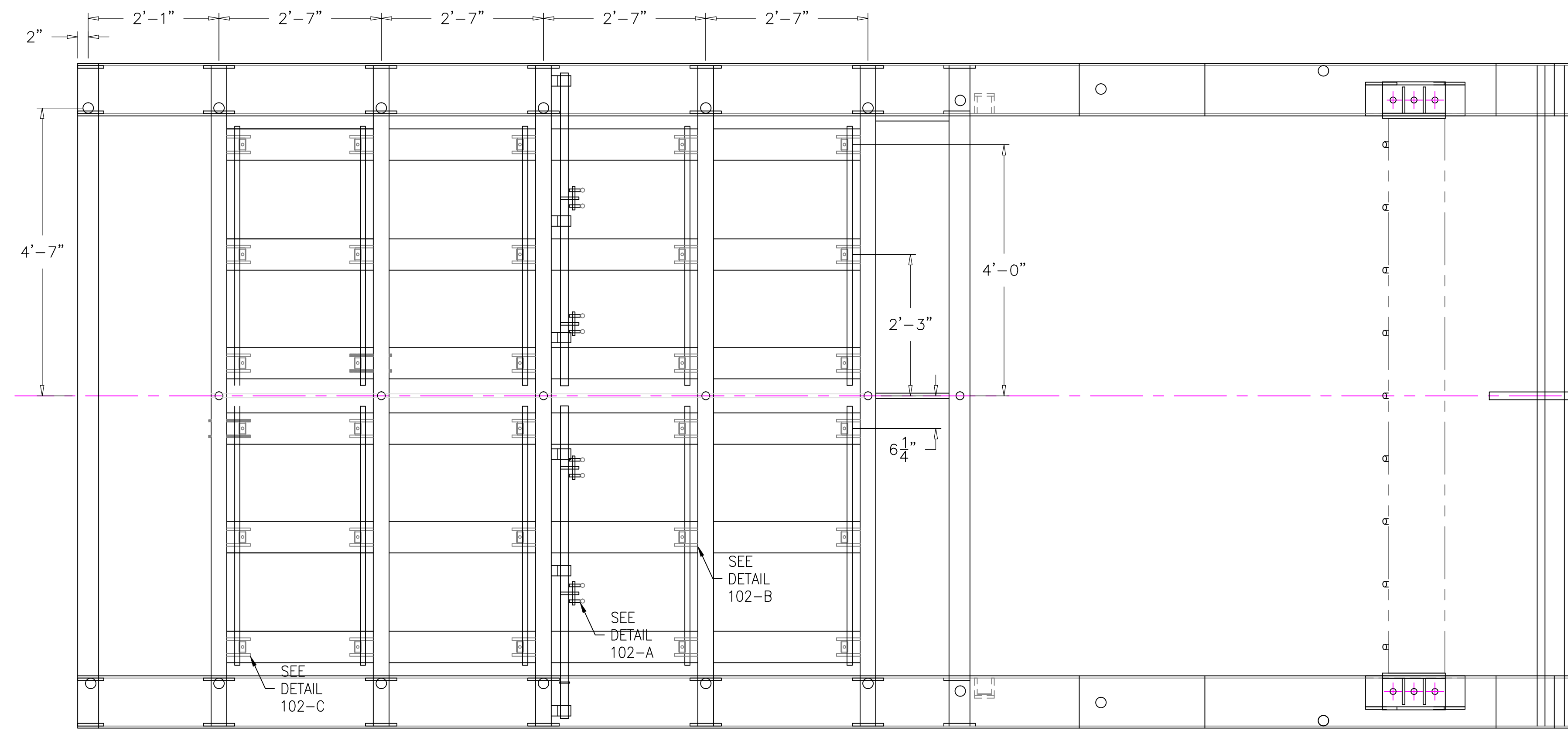
TRIPPING CAM MECHANISM
SCALE: 3"=1'-0"

ALT	REVISION	DATE:
THIS DRAWING/DOCUMENT IS CONFIDENTIAL AND THE PROPERTY OF THOMAS M. FARRELL AND GARRETT NORTON AND MUST NOT BE USED FOR MANUFACTURE, COPIED OR COMMUNICATED TO ANY OTHER PERSON WITHOUT EXPRESS PERMISSION.		
FARRELL & NORTON NAVAL ARCHITECTS		
NAVAL ARCHITECTS AND MARINE ENGINEERS		
PO BOX 66 (207) 563-3210 (THOMAS)		NEWCASTLE, ME 04553 (617) 308-1074 (GARRETT)
TOP AND BOTTOM FRAME DETAILS		
PROJECT: 102IN DREDGE DETAILS		
DRAWN BY: TMF	DATE: 04/01/21	
APPROVED BY: GJN	SCALE: 3/4" = 1'-0"	
DWG #: C-779-100	ALT: 0	

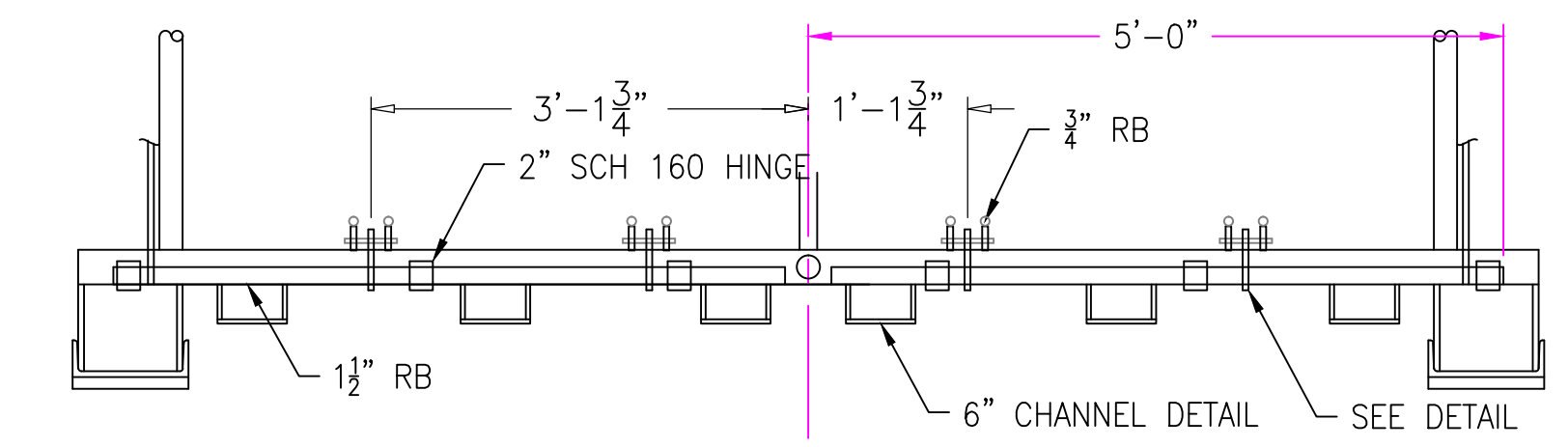
8 7 6 5 4 3 2 1



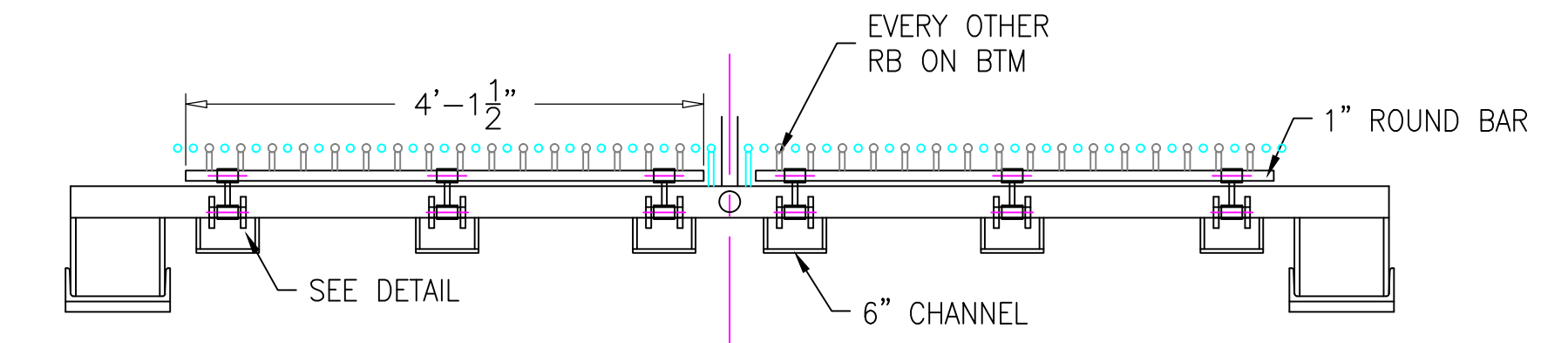
ALT	REVISION	DATE:
THIS DRAWING/DOCUMENT IS CONFIDENTIAL AND THE PROPERTY OF THOMAS M. FARRELL AND GARRETT NORTON AND MUST NOT BE USED FOR MANUFACTURE, COPIED OR COMMUNICATED TO ANY OTHER PERSON WITHOUT EXPRESS PERMISSION.		
FARRELL & NORTON NAVAL ARCHITECTS NAVAL ARCHITECTS AND MARINE ENGINEERS		
PO BOX 66 (207) 563-3210 (THOMAS)		NEWCASTLE, ME 04553 (617) 308-1074 (GARRETT)
DREDGE PROFILE DETAILS		
PROJECT: 102IN DREDGE DETAILS		
DRAWN BY: TMF	DATE: 04/01/21	
APPROVED BY: GJN	SCALE: 3/4" = 1'-0"	
DWG #: C-779-101	ALT: 0	



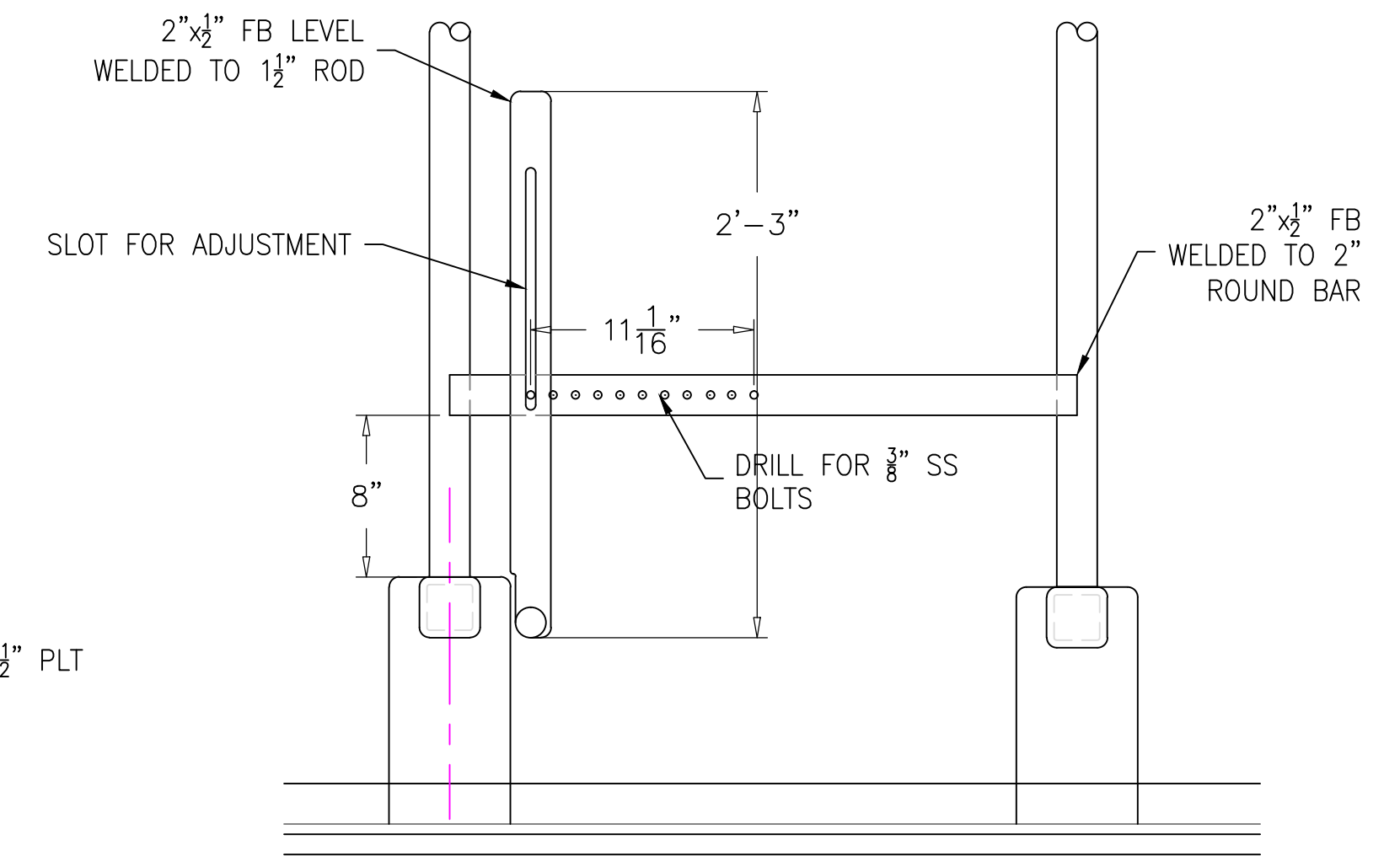
BOTTOM VIEW
LOOKING DOWN



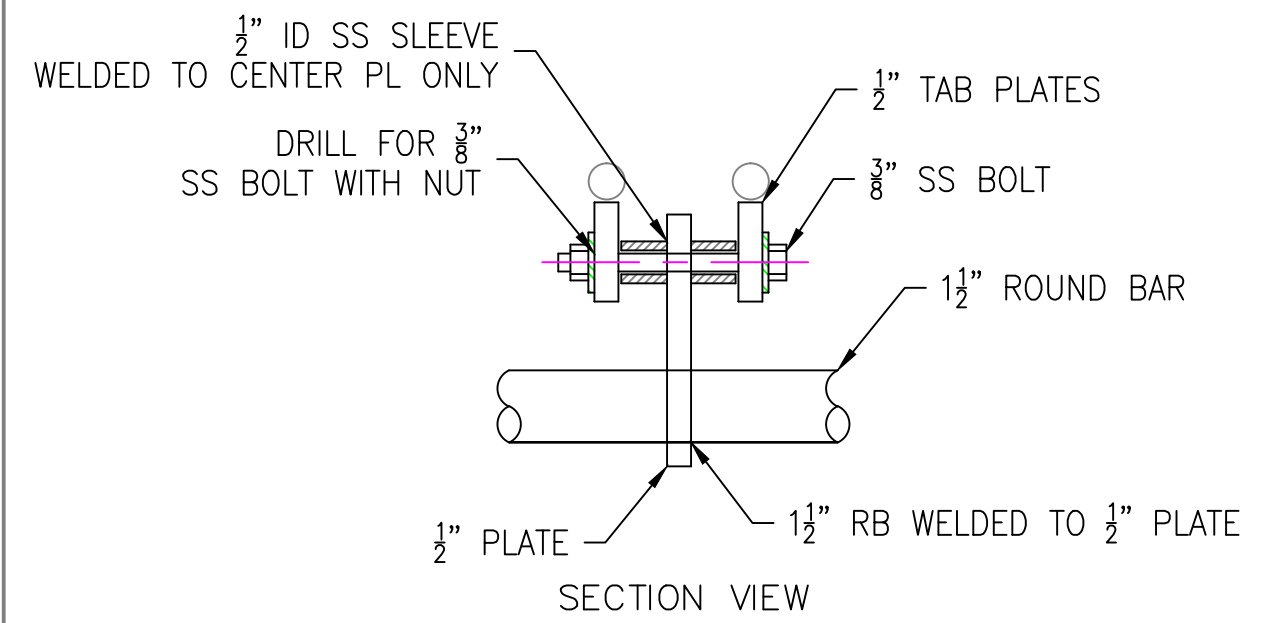
SECTION 102-1
CONTROLABLE ROUND BAR HINGE
CONTROL ROD



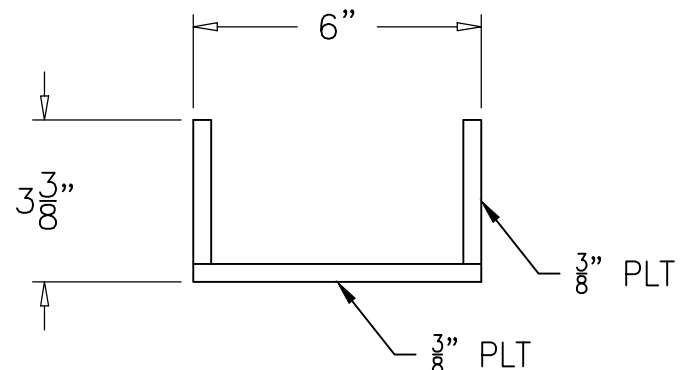
SECTION 102-1
ADJUSTABLE ROUND BAR HINGE
DEPENDENT ROD



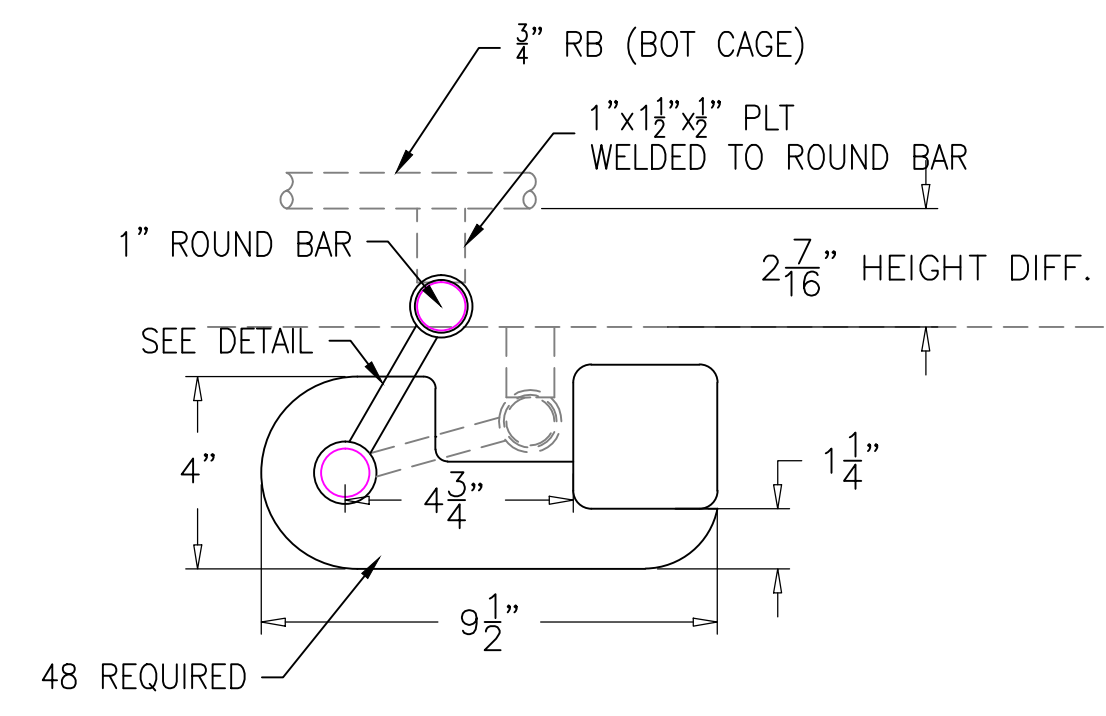
SIDE VIEW - LOOKING AT DREDGE
ADJUSTMENT LEVER AND LOCK
UP (CLOSED) POSITION SHOWN
PORT SHOWN - STBD OPPOSITE



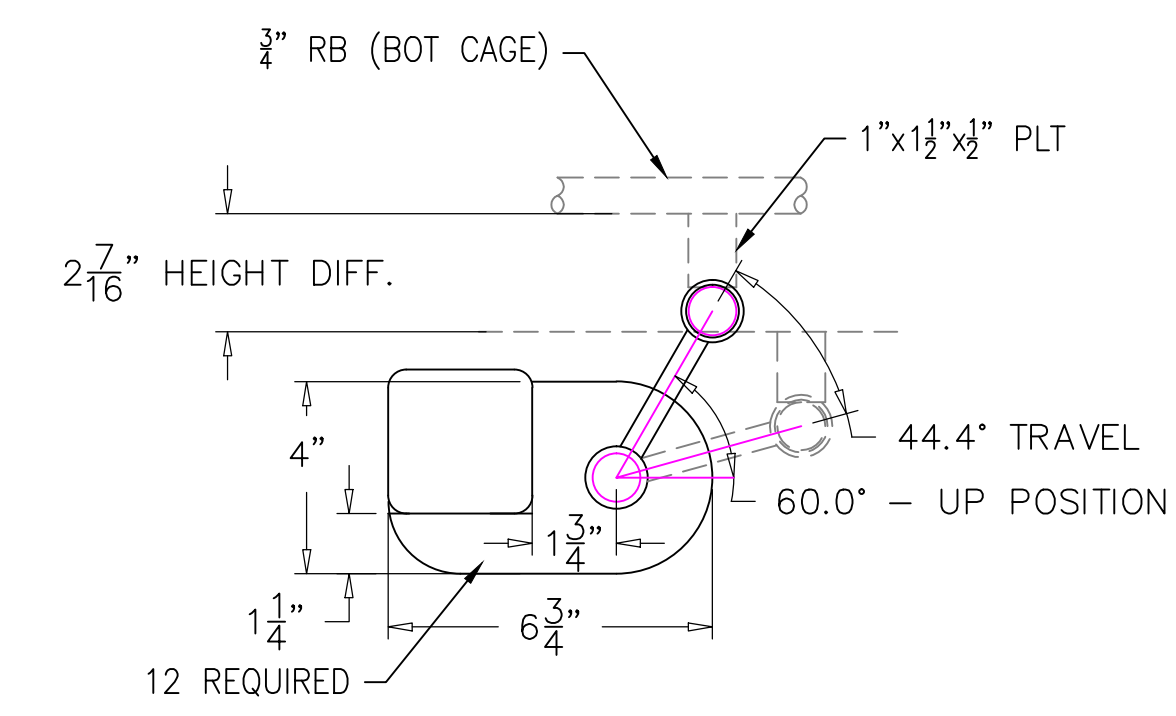
SECTION VIEW



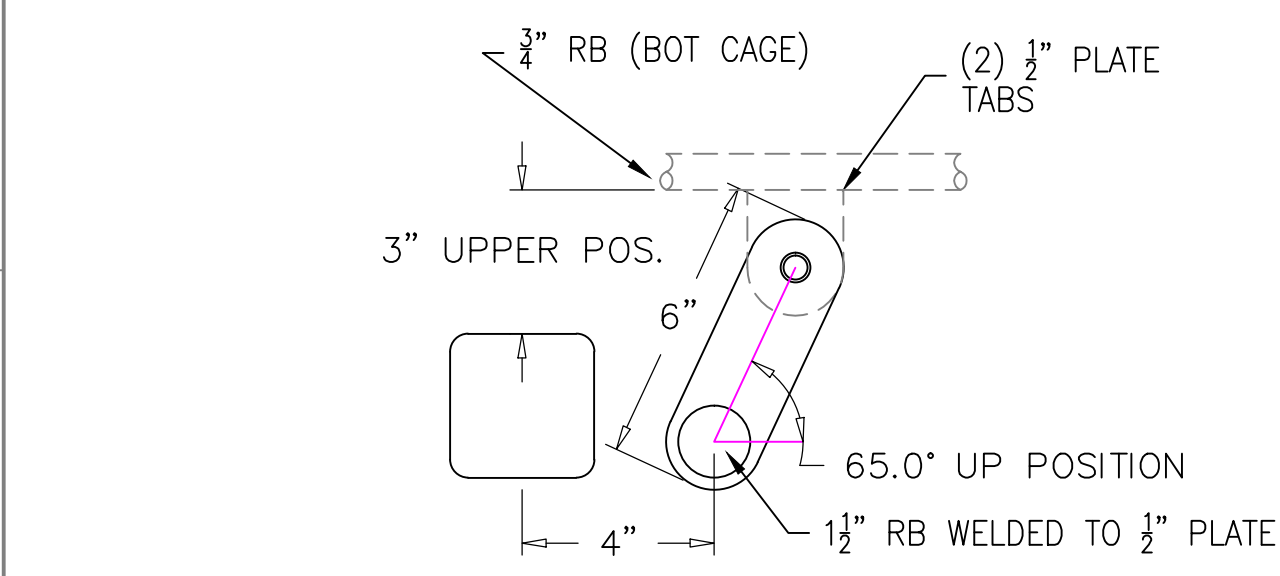
CHANNEL DETAILS
SCALE: 3"=1'-0"



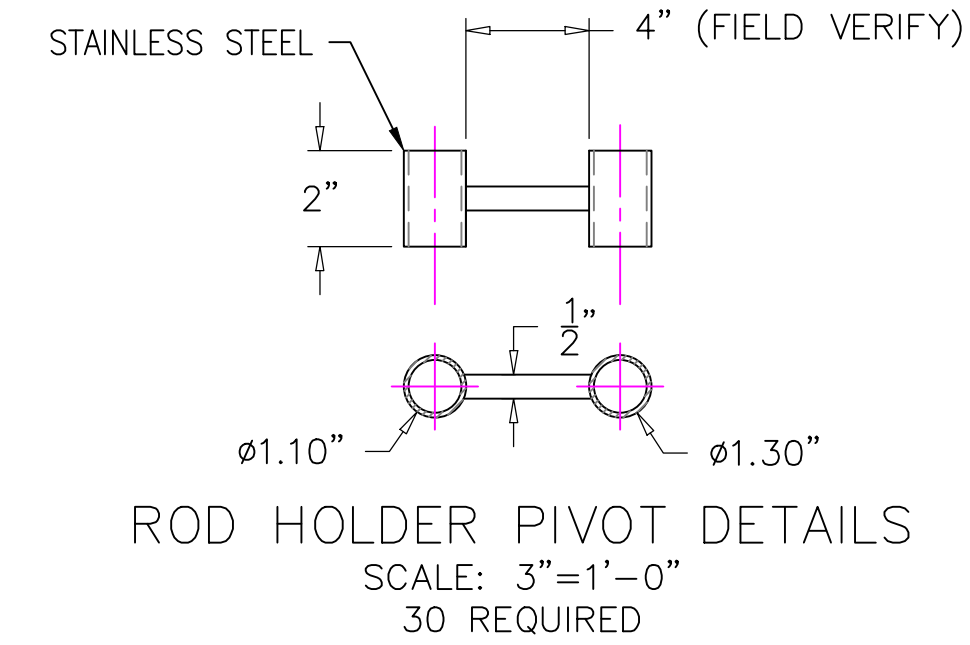
DETAIL 102-B
ADJUSTABLE HINGE DETAILS
SCALE: 3"=1'-0"



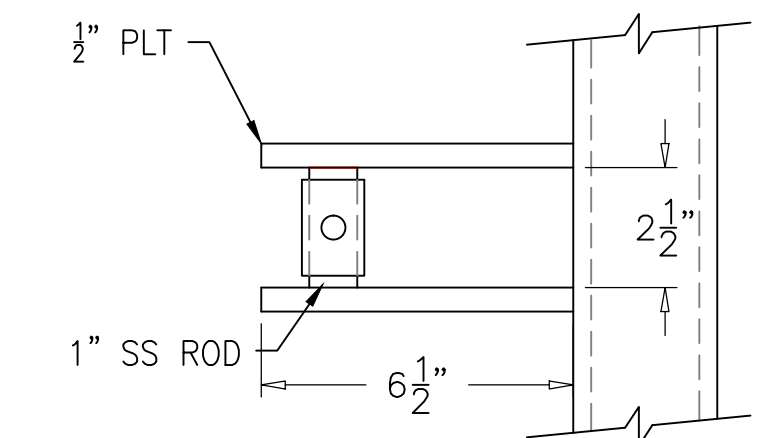
DETAIL 102-C
ADJUSTABLE HINGE DETAILS
AFT SET ONLY
SCALE: 3"=1'-0"



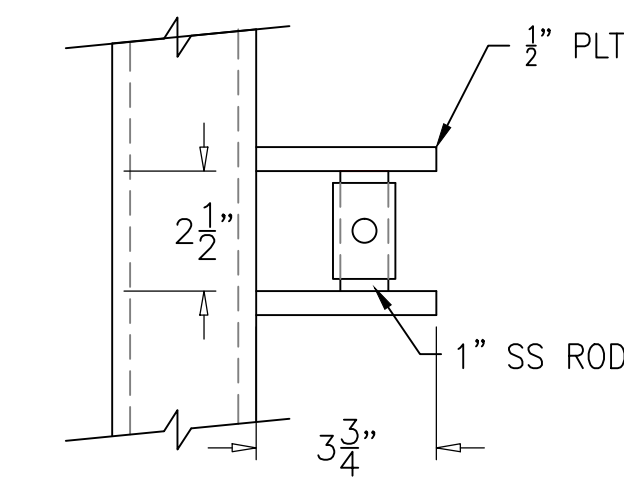
3" UPPER POS.
6"



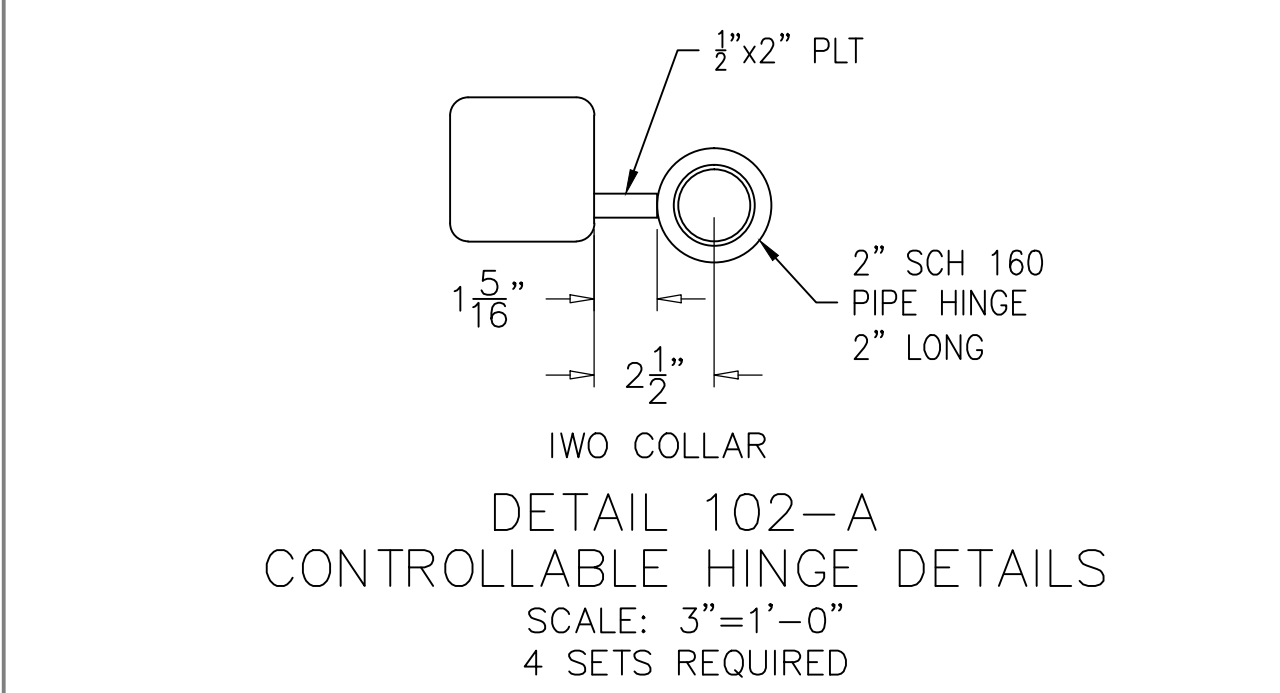
ROD HOLDER PIVOT DETAILS
SCALE: 3"=1'-0"
30 REQUIRED



DETAIL 102-B
ADJUSTABLE HINGE DETAILS
SCALE: 3"=1'-0"

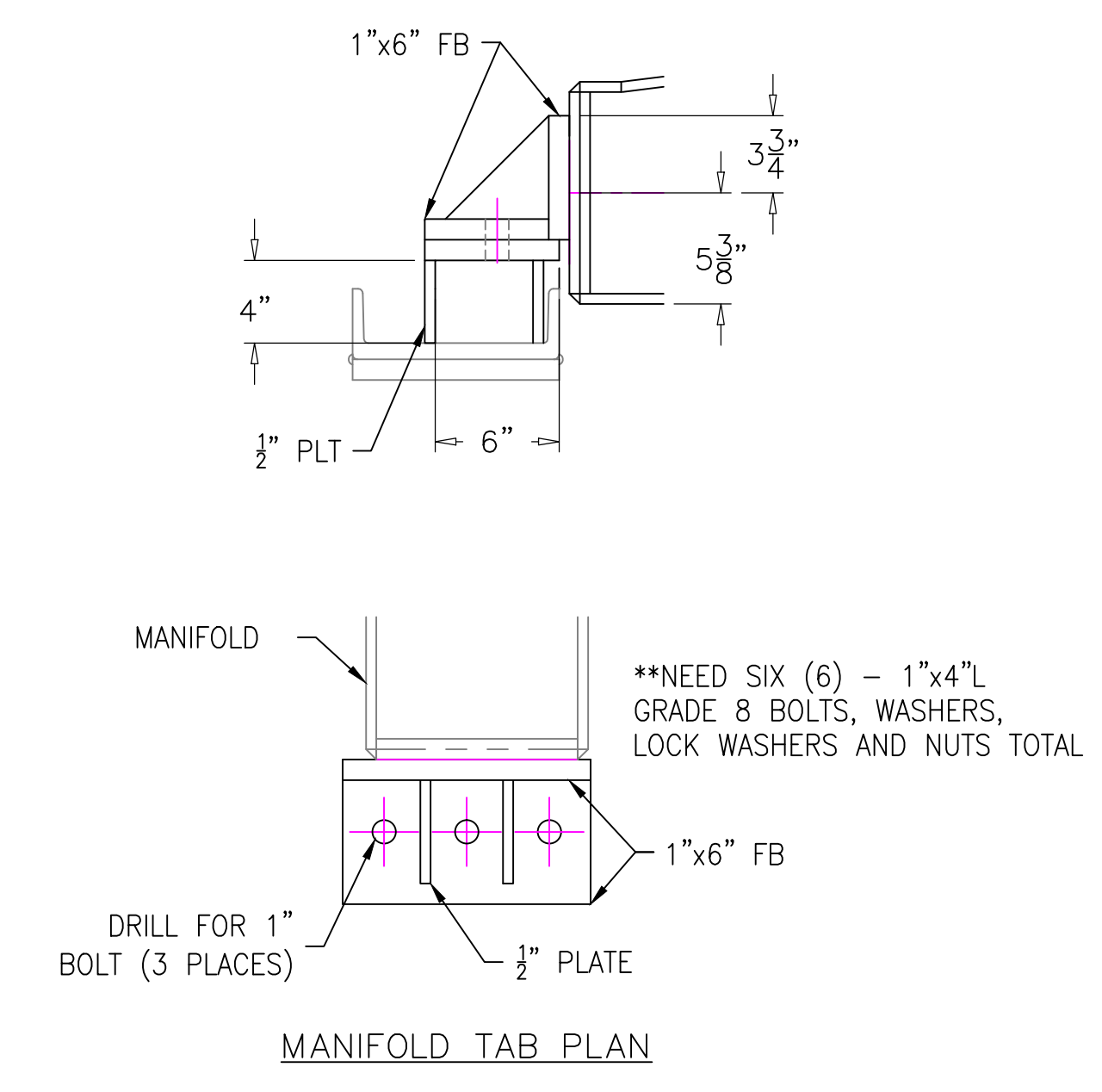
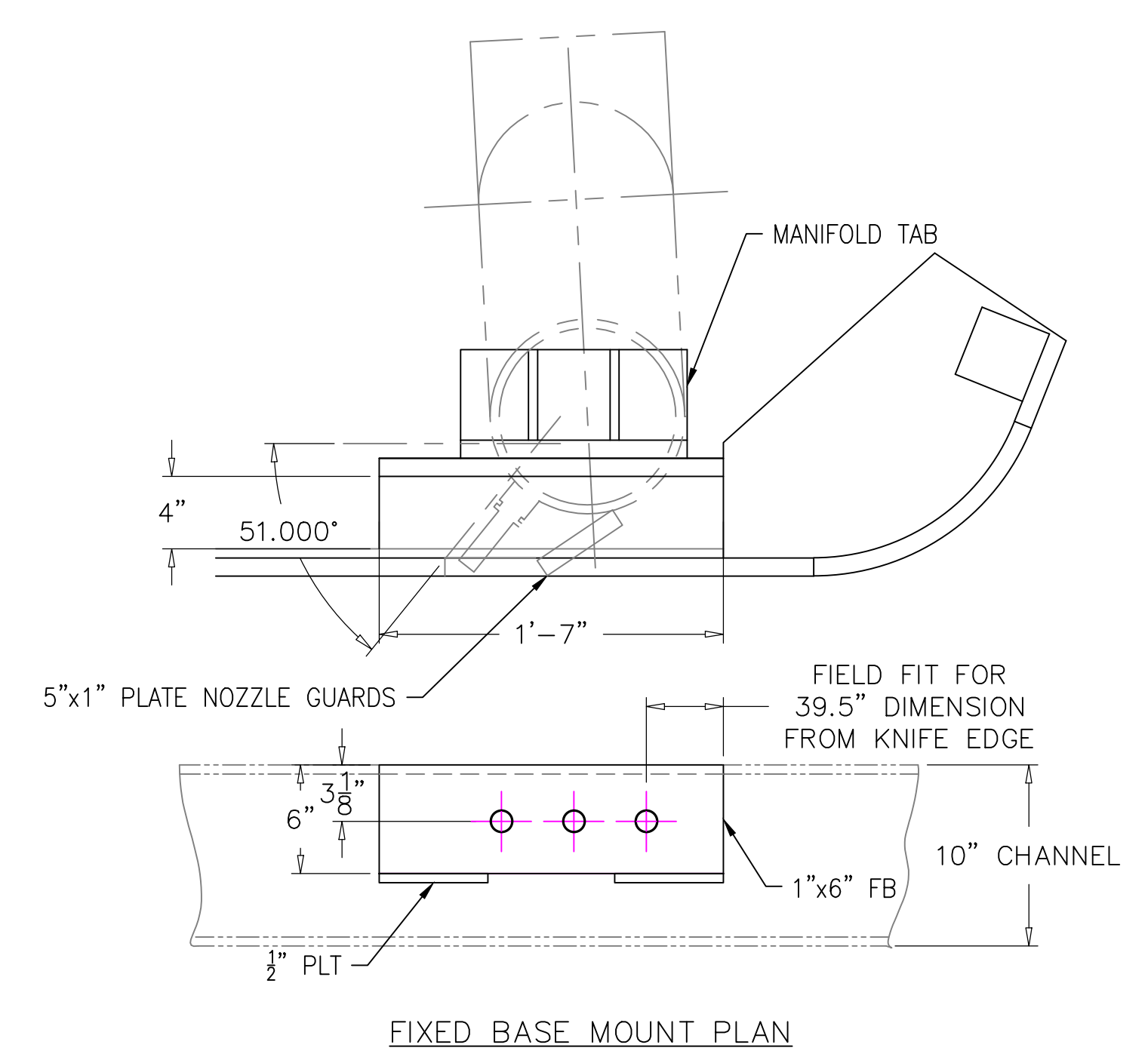
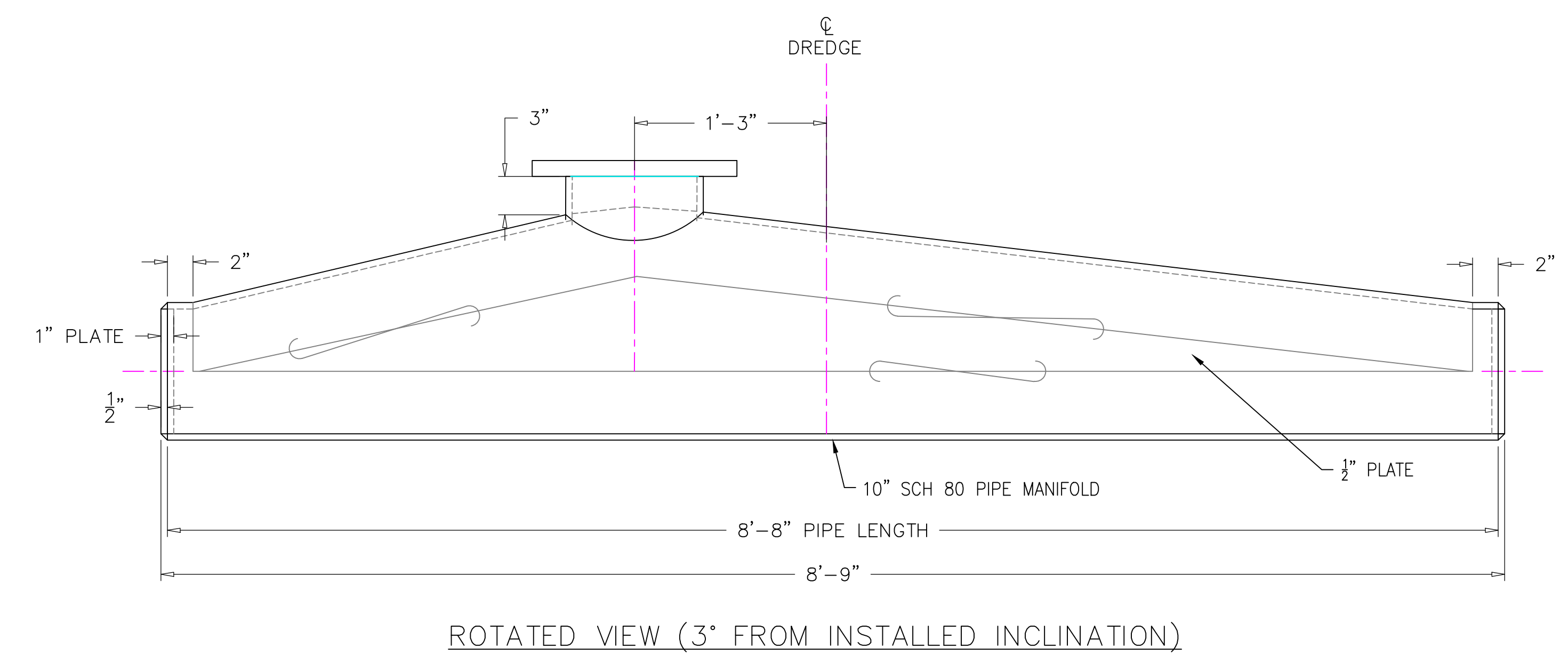
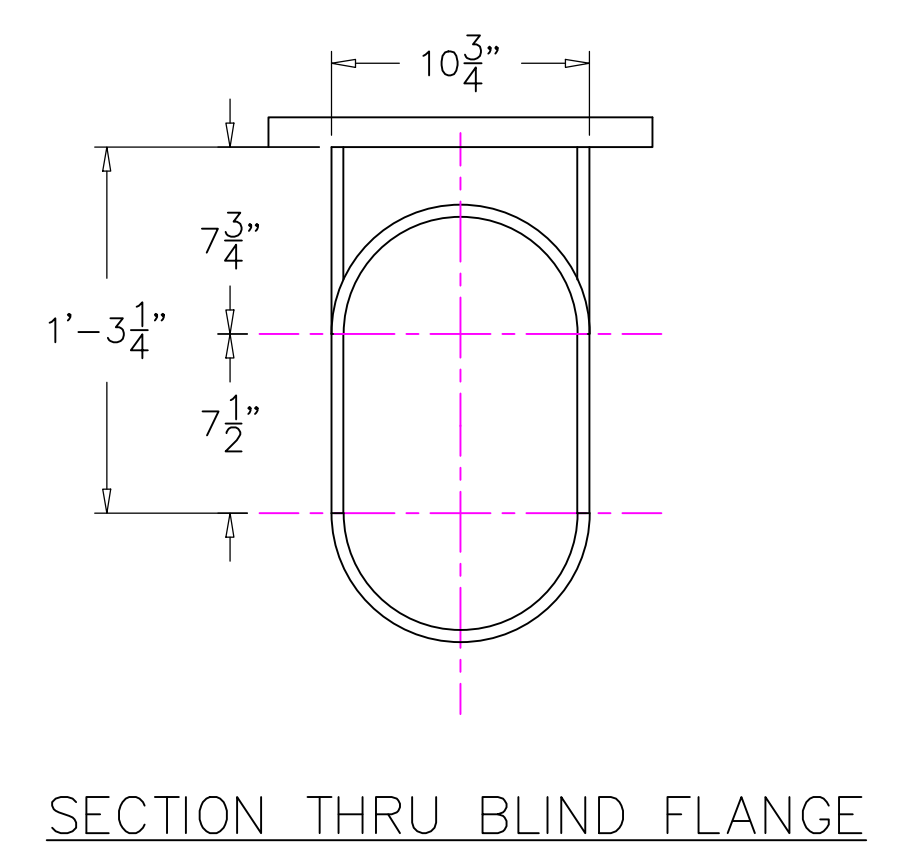
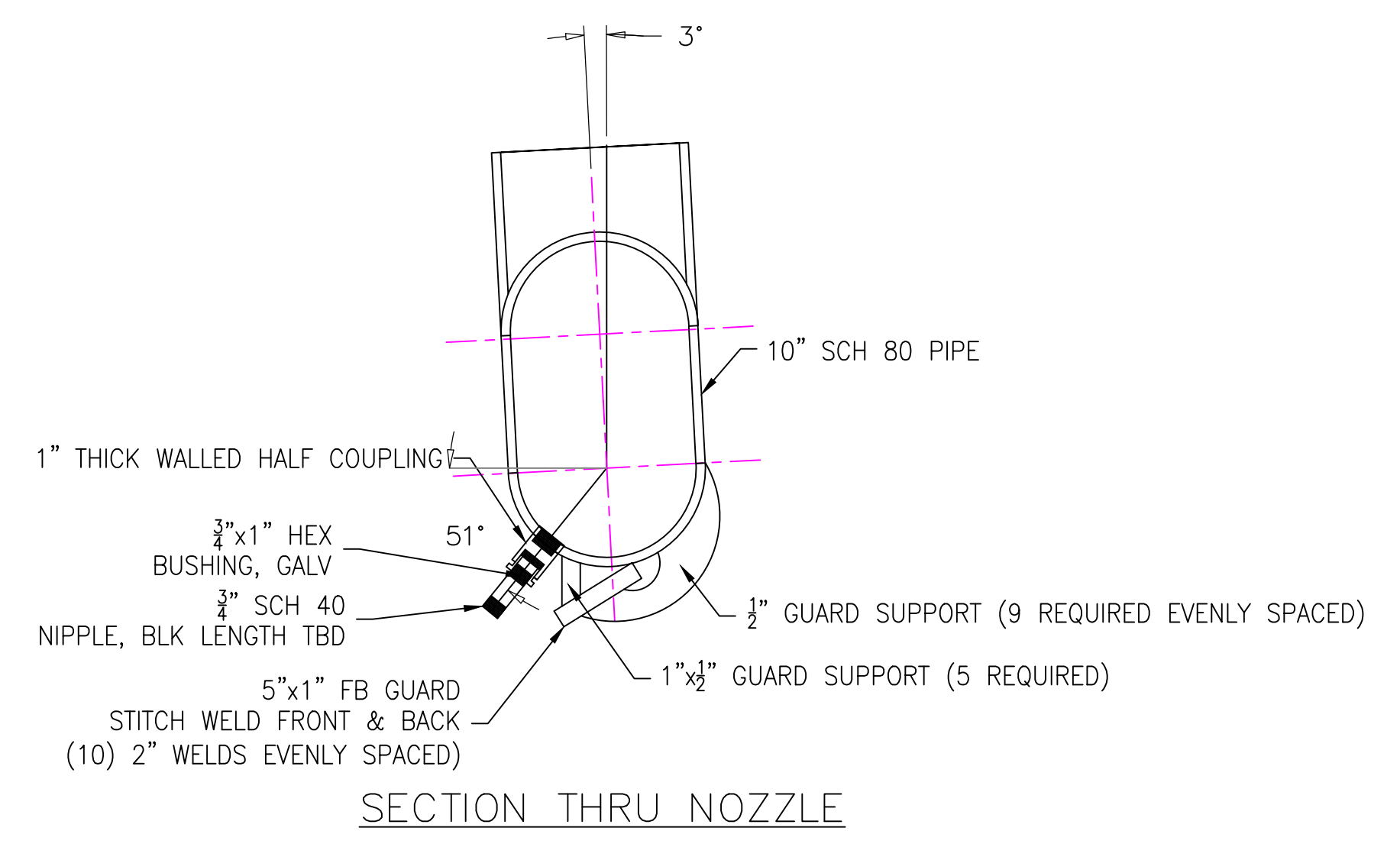
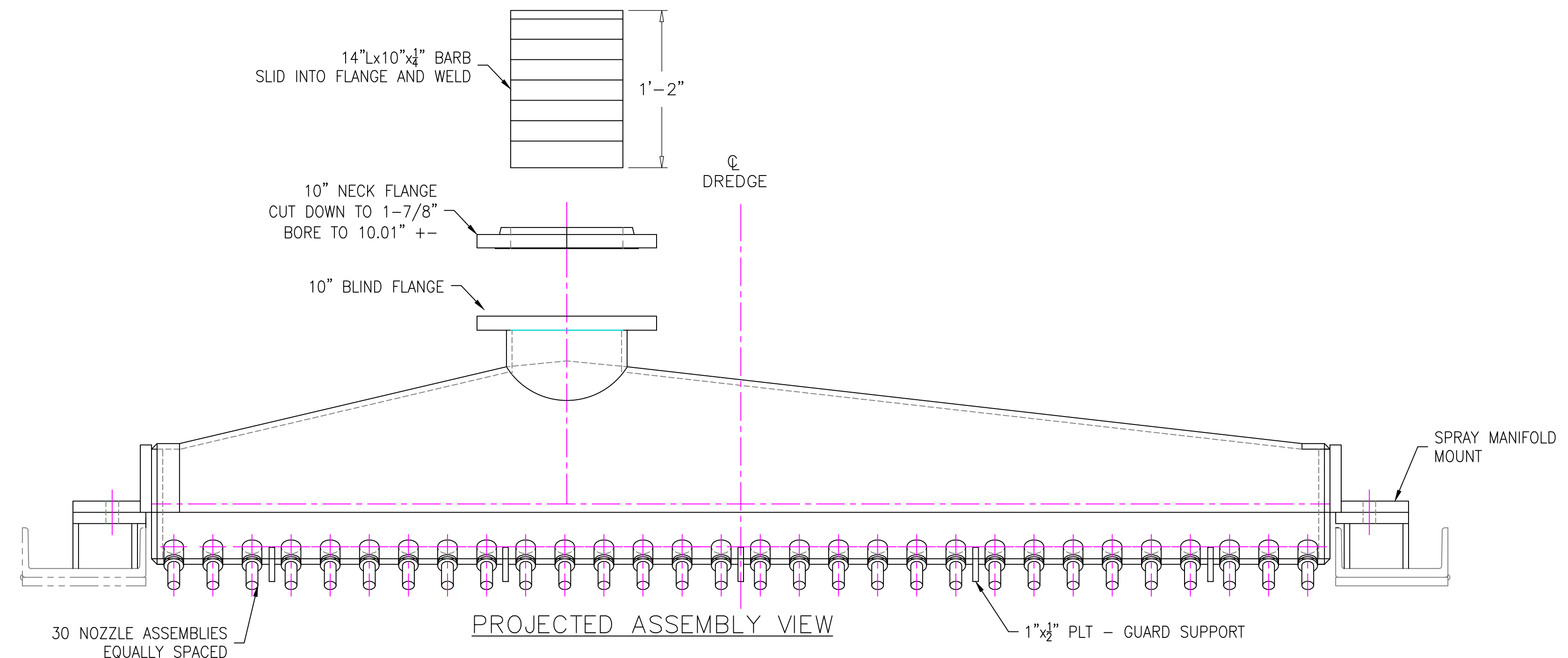


DETAIL 102-C
ADJUSTABLE HINGE DETAILS
AFT SET ONLY
SCALE: 3"=1'-0"

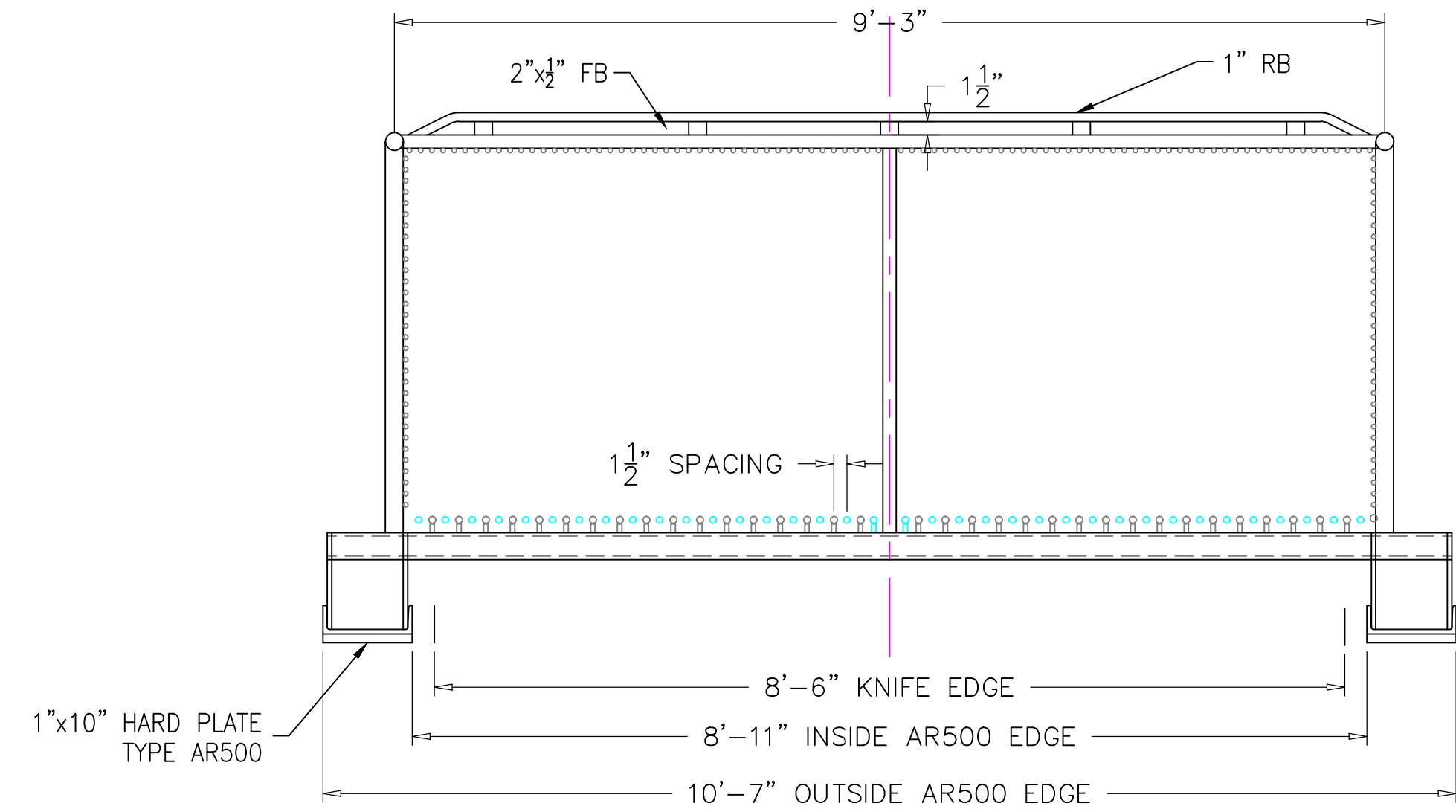


DETAIL 102-A
CONTROLLABLE HINGE DETAILS
SCALE: 3"=1'-0"
4 SETS REQUIRED

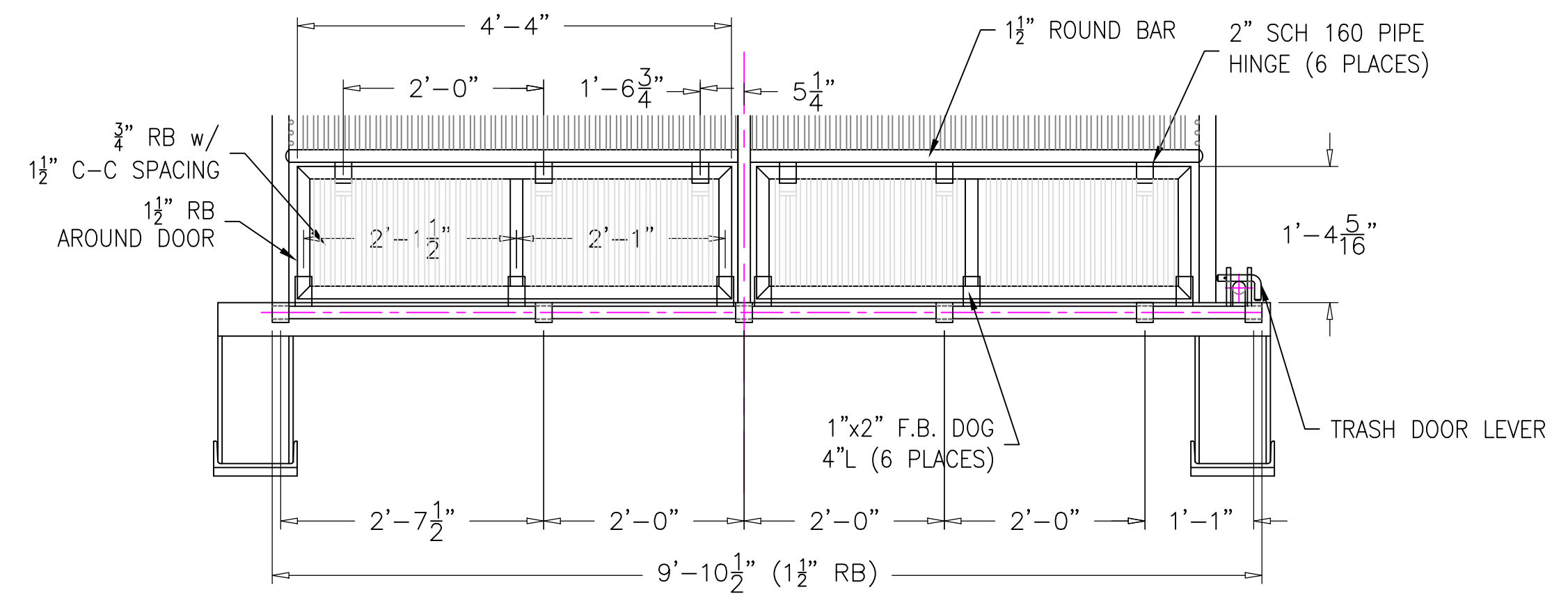
ALT	REVISION	DATE:
THIS DRAWING/DOCUMENT IS CONFIDENTIAL AND THE PROPERTY OF THOMAS M. FARRELL AND GARRETT NORTON AND MUST NOT BE USED FOR MANUFACTURE, COPIED OR COMMUNICATED TO ANY OTHER PERSON WITHOUT EXPRESS PERMISSION.		
FARRELL & NORTON NAVAL ARCHITECTS NAVAL ARCHITECTS AND MARINE ENGINEERS		
PO BOX 66 (207) 563-3210 (THOMAS)		NEWCASTLE, ME 04553 (617) 308-1074 (GARRETT)
SELECTIVITY DETAILS		
PROJECT: 102IN DREDGE DETAILS		
DRAWN BY: TMF	DATE: 04/01/21	
APPROVED BY: GJN	SCALE: 3/4" = 1'-0"	
DWG #: C-779-102	ALT: 0	



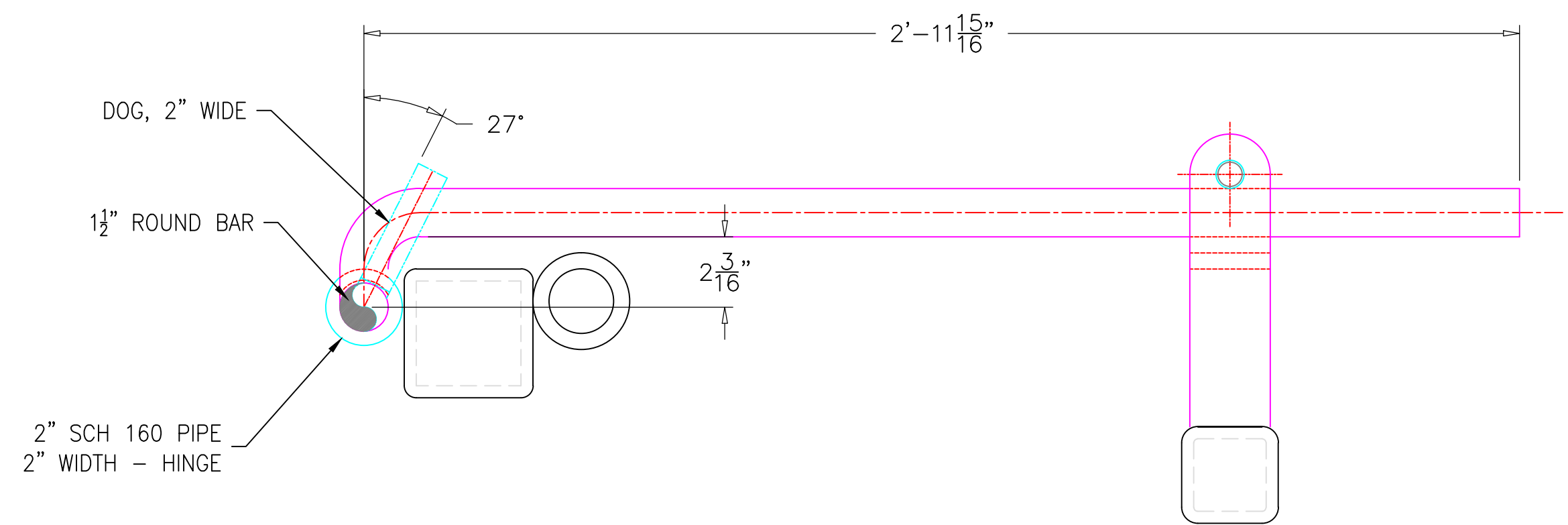
ALT	REVISION	DATE:
THIS DRAWING/DOCUMENT IS CONFIDENTIAL AND THE PROPERTY OF THOMAS M. FARRELL AND GARRETT NORTON AND MUST NOT BE USED FOR MANUFACTURE, COPIED OR COMMUNICATED TO ANY OTHER PERSON WITHOUT EXPRESS PERMISSION.		
FARRELL & NORTON NAVAL ARCHITECTS		
NAVAL ARCHITECTS AND MARINE ENGINEERS		
PO BOX 66		NEWCASTLE, ME 04553
(207) 563-3210 (THOMAS)		(617) 308-1074 (GARRETT)
SPRAY MANIFOLD DETAILS		
PROJECT: 102IN DREDGE DETAILS		
DRAWN BY: TMF	DATE: 04/01/21	
APPROVED BY: GJN	SCALE: 3/4" = 1'-0"	
DWG #: C-779-103	ALT: 0	



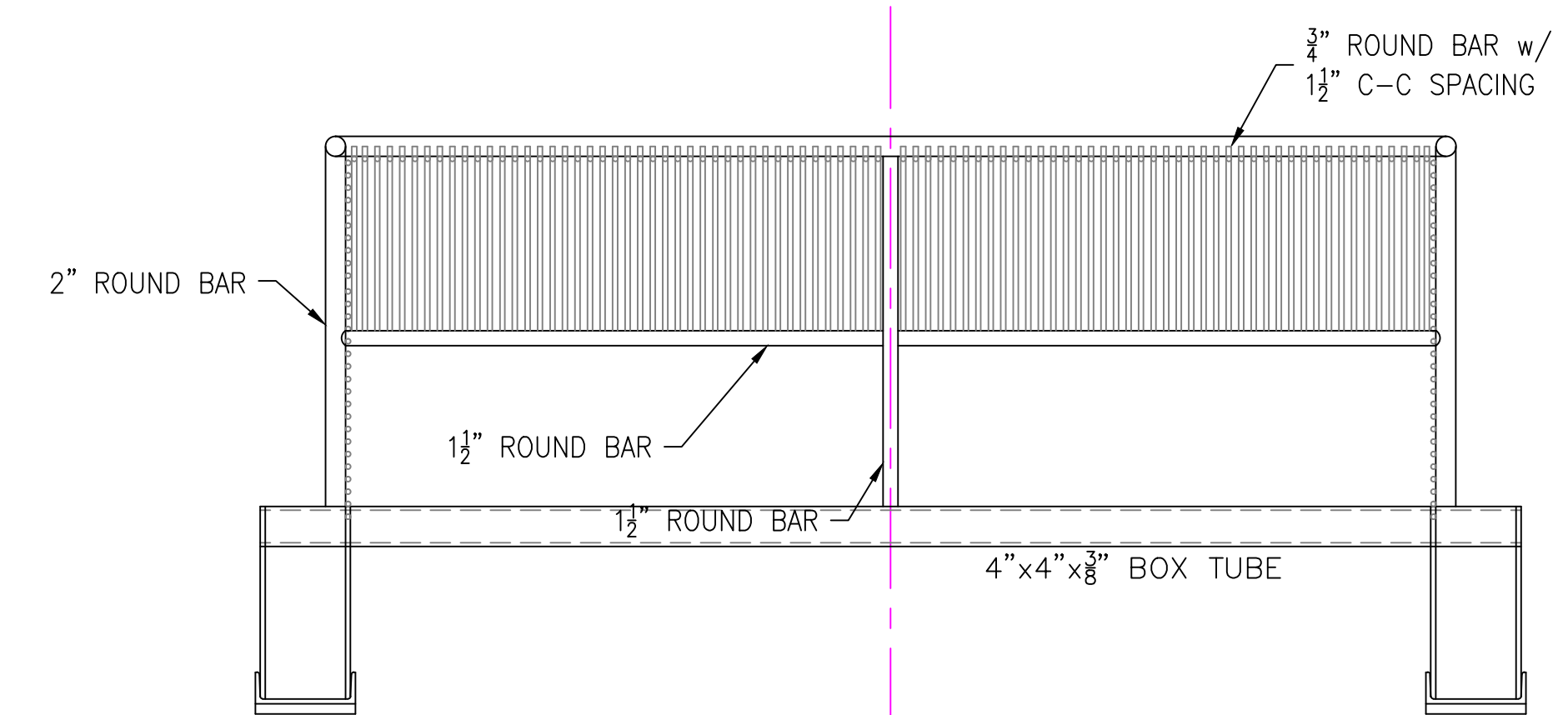
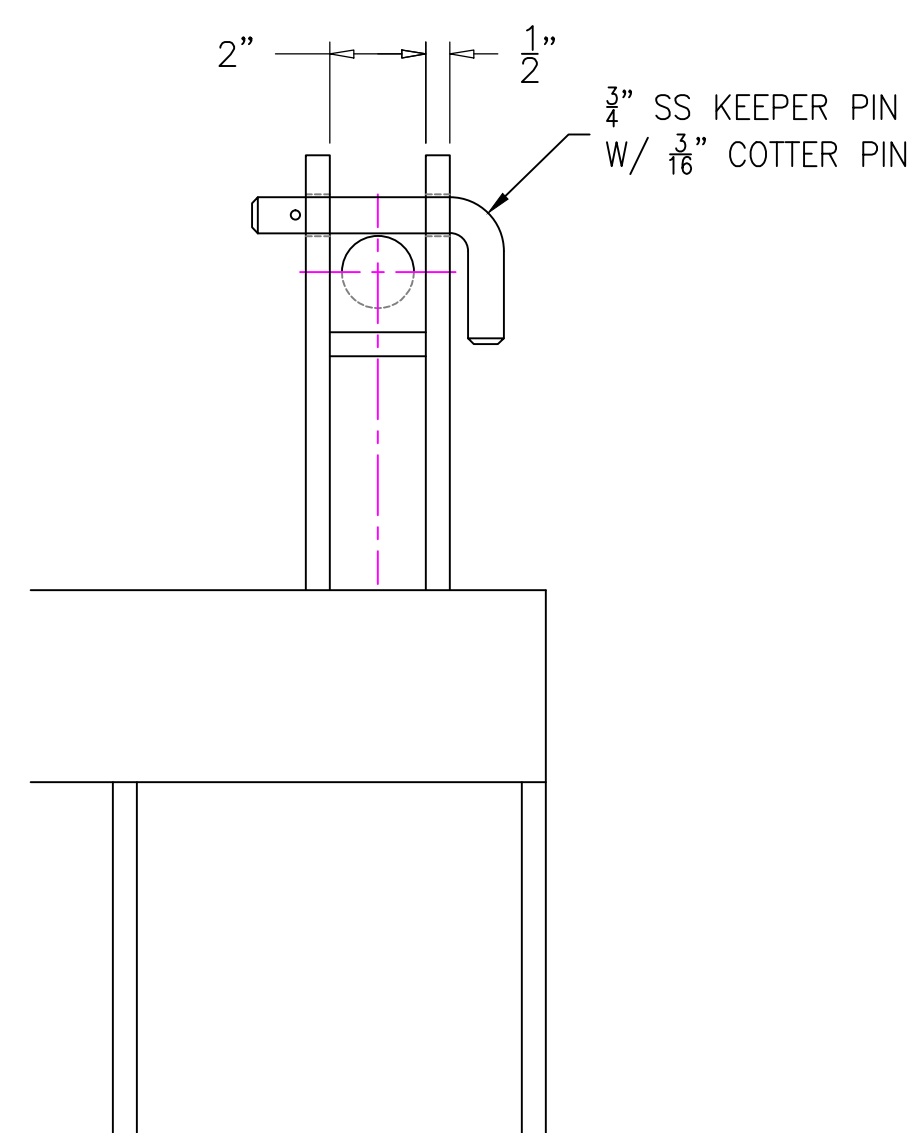
TYPICAL TRANSVERSE SECTION
LOOKING FORWARD



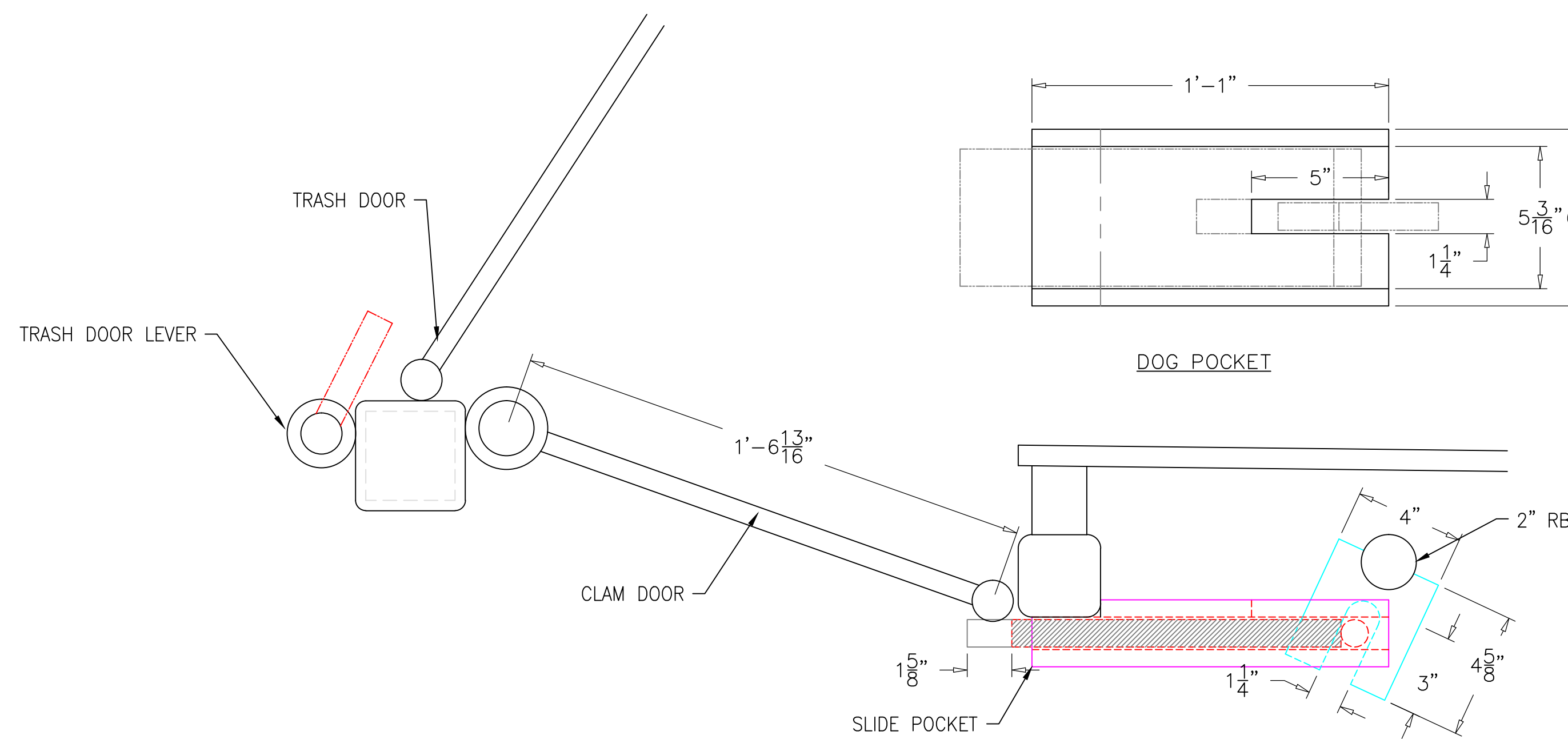
TRASH DOOR DETAILS
EXPANDED VIEW



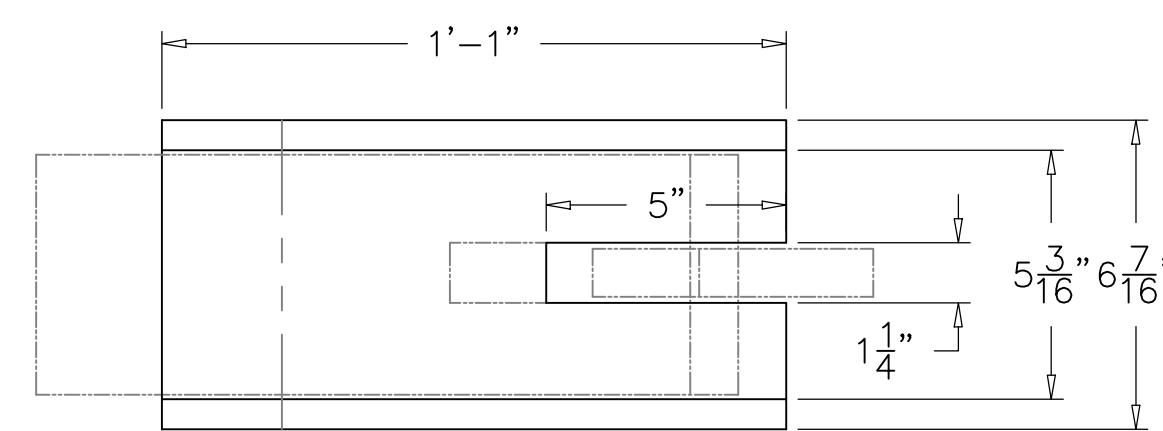
TRASH DOOR LEVER DETAILS
SCALE: 3"=1'-0"



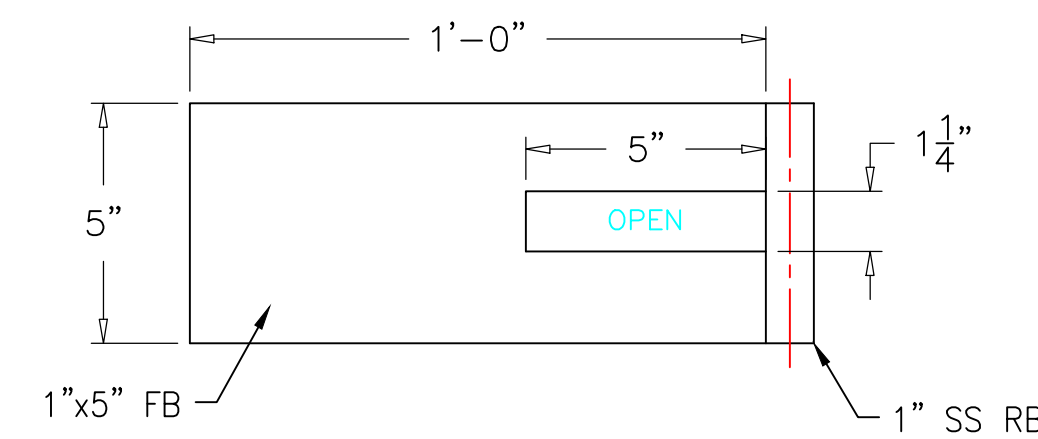
TRASH DOOR OPENING
LOOKING FORWARD



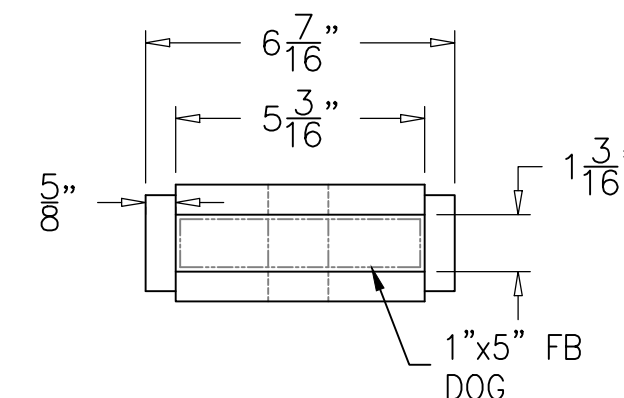
SLIDING DOG ASSEMBLY
SCALE: 3"=1'-0"



DOG POCKET

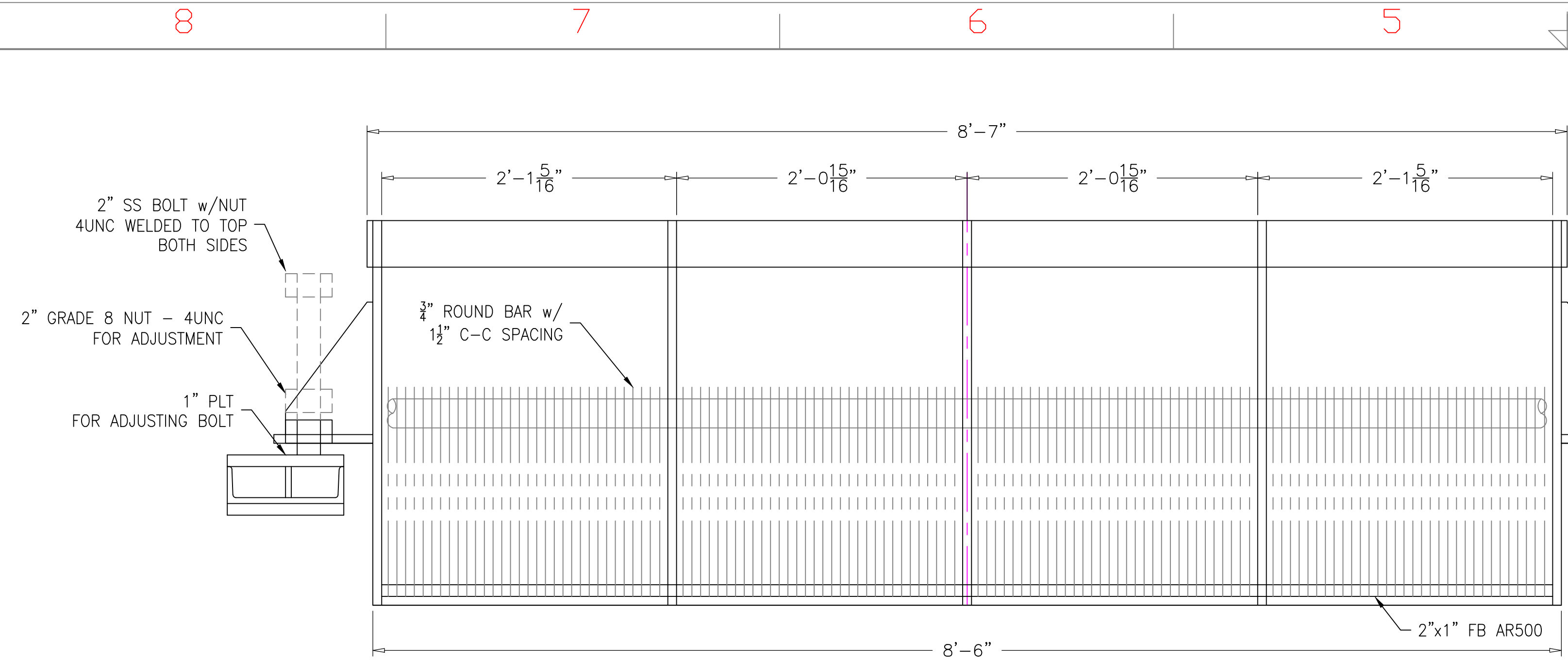


DOG

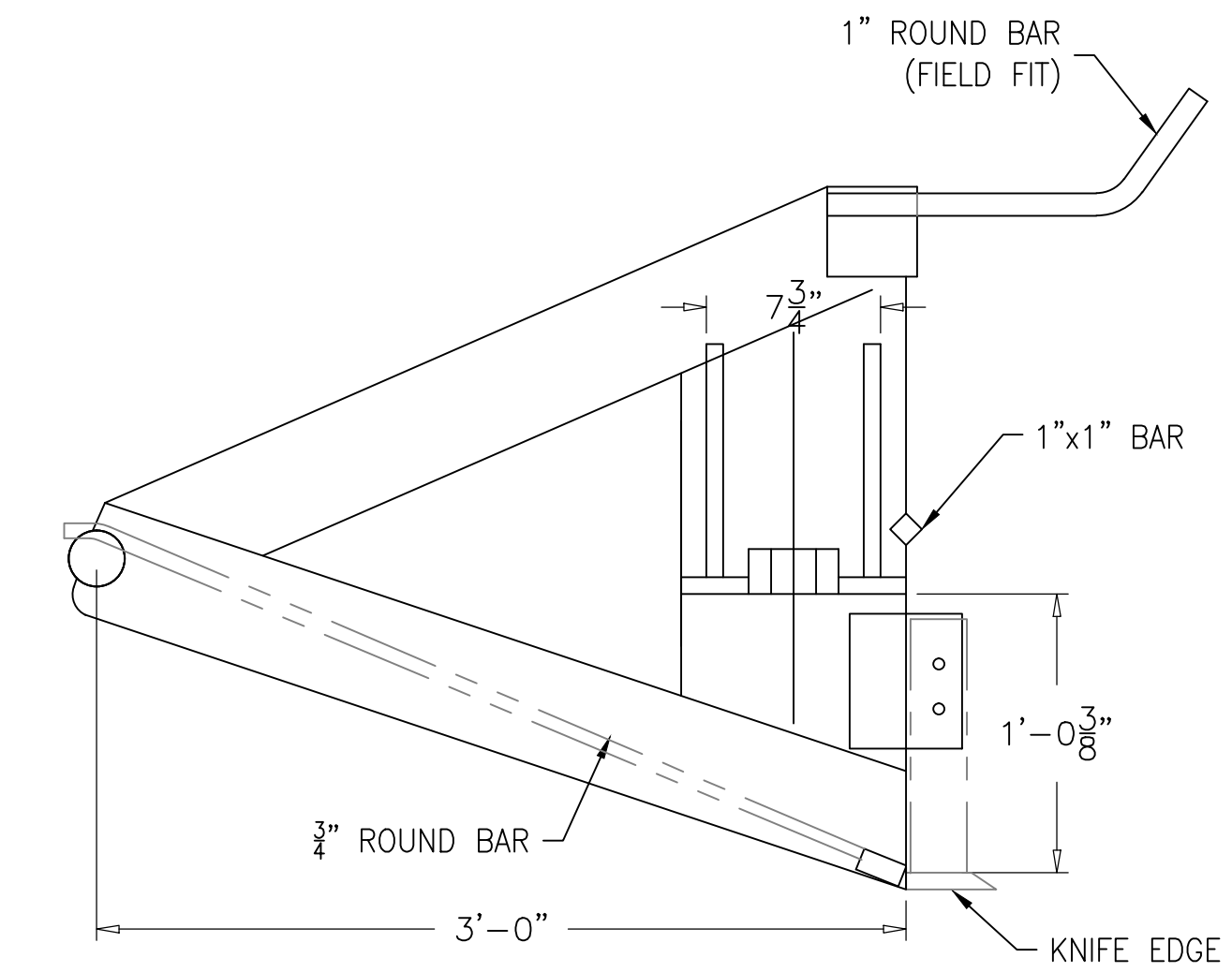


DOG

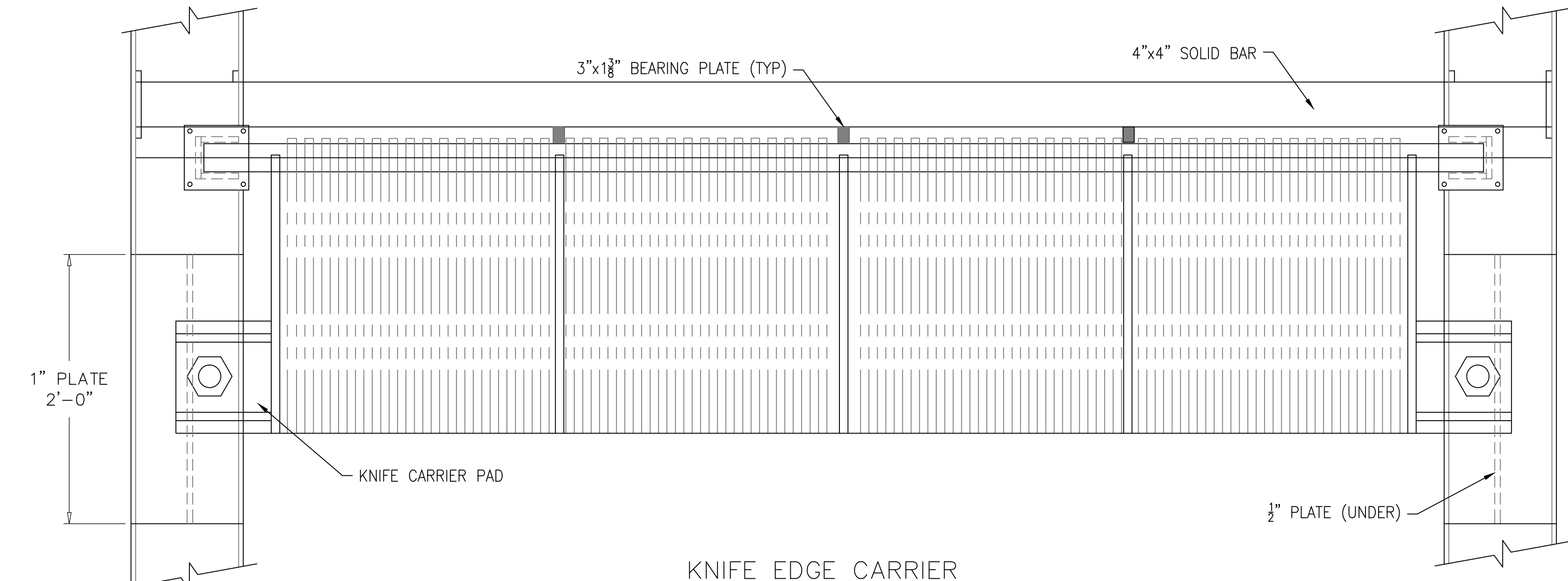
ALT	REVISION	DATE:
THIS DRAWING/DOCUMENT IS CONFIDENTIAL AND THE PROPERTY OF THOMAS M. FARRELL AND GARRETT NORTON AND MUST NOT BE USED FOR MANUFACTURE, COPIED OR COMMUNICATED TO ANY OTHER PERSON WITHOUT EXPRESS PERMISSION.		
FARRELL & NORTON NAVAL ARCHITECTS NAVAL ARCHITECTS AND MARINE ENGINEERS		
PO BOX 66 (207) 563-3210 (THOMAS)		NEWCASTLE, ME 04553 (617) 308-1074 (GARRETT)
DREDGE SECTION DETAILS		
PROJECT: 102IN DREDGE DETAILS		
DRAWN BY: TMF	DATE: 04/01/21	
APPROVED BY: GJN	SCALE: 3/4" = 1'-0"	
DWG #: C-779-104	ALT: 0	



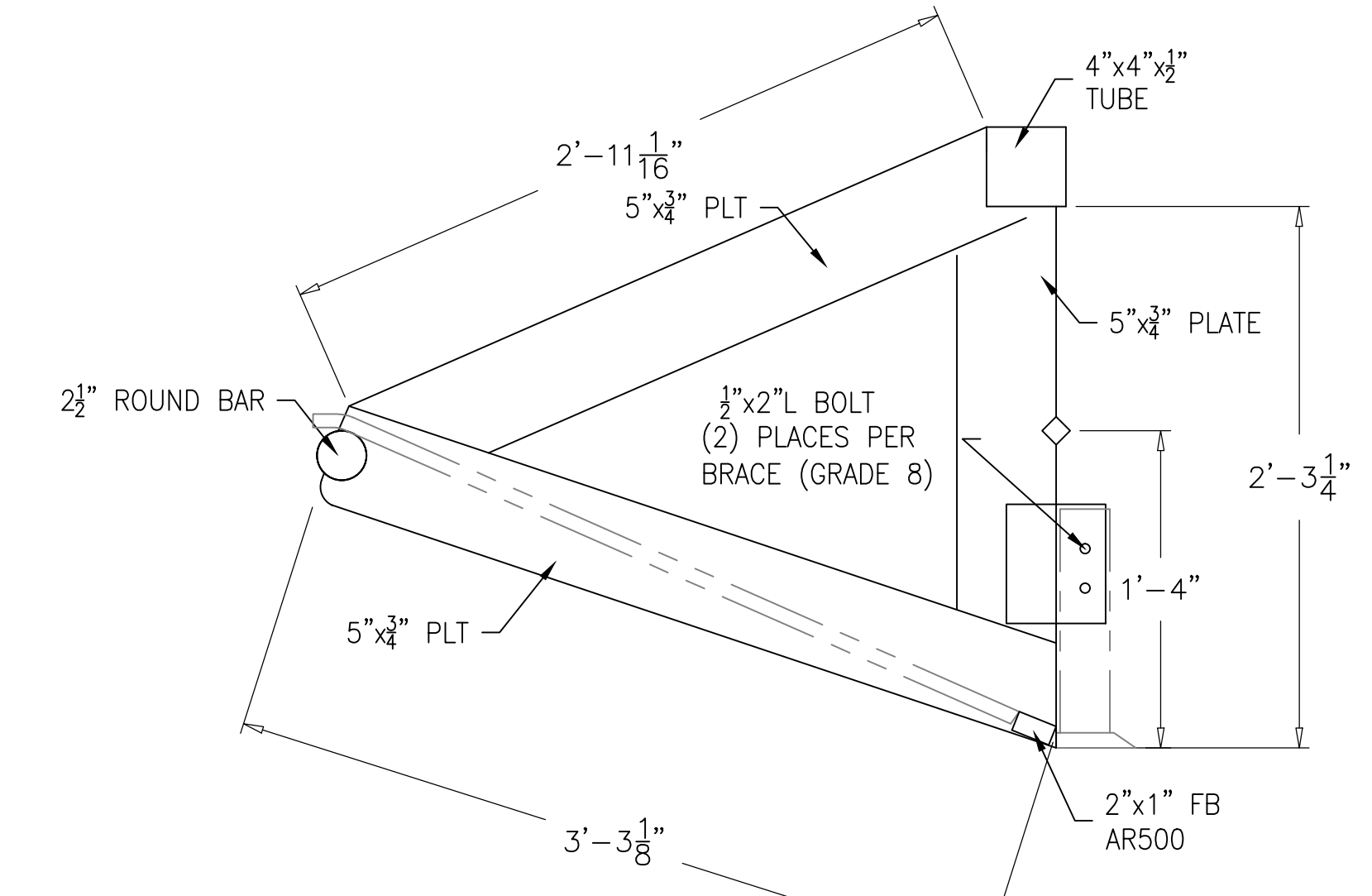
KNIFE EDGE CARRIER
PLAN VIEW - CONNECTION DETAILS



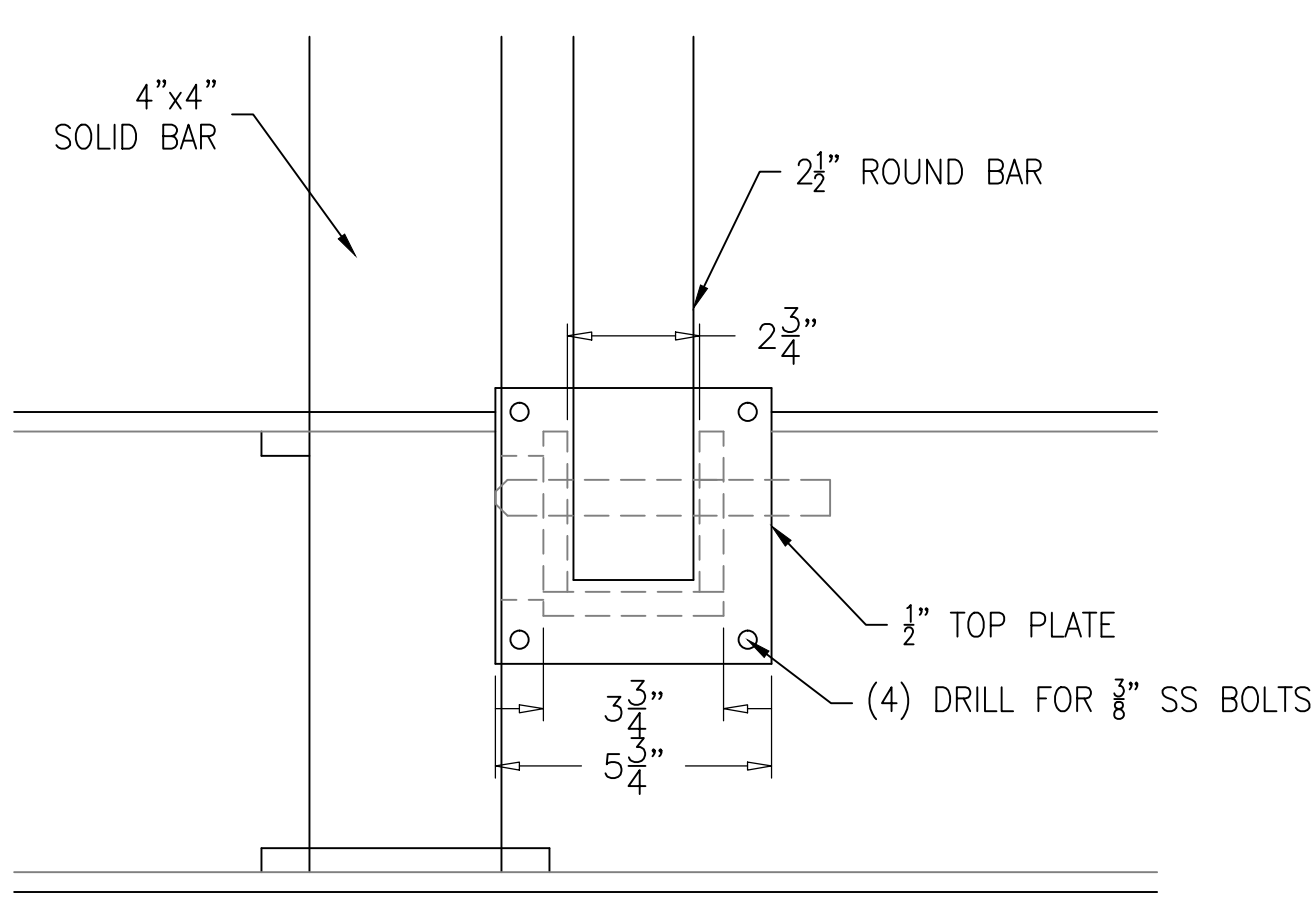
KNIFE EDGE END SUPPORT



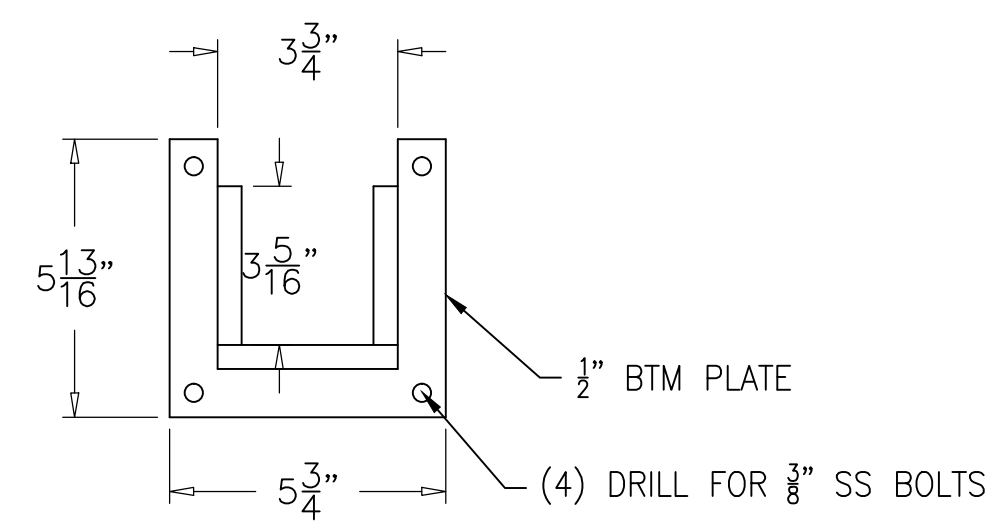
KNIFE EDGE CARRIER
PLAN VIEW - CONNECTION DETAILS



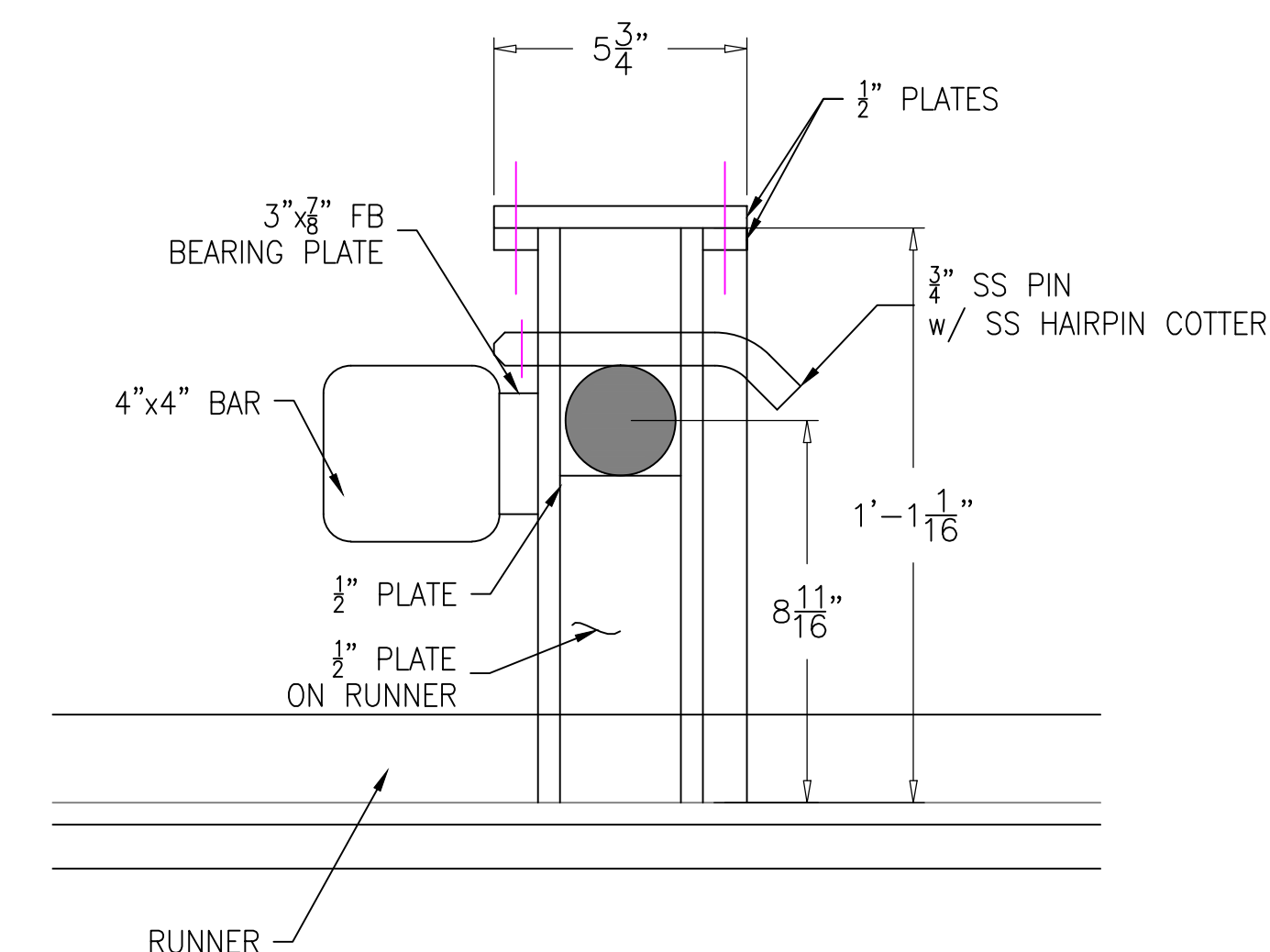
KNIFE EDGE SUPPORT



KNIFE EDGE CONNECTION
PLAN VIEW
SCALE: 3"=1'-0"



BTM PLATE



KNIFE EDGE CONNECTION
PROFILE VIEW
SCALE: 3"=1'-0"

ALT	REVISION	DATE:
THIS DRAWING/DOCUMENT IS CONFIDENTIAL AND THE PROPERTY OF THOMAS M. FARRELL AND GARRETT NORTON AND MUST NOT BE USED FOR MANUFACTURE, COPIED OR COMMUNICATED TO ANY OTHER PERSON WITHOUT EXPRESS PERMISSION.		
FARRELL & NORTON NAVAL ARCHITECTS		
NAVAL ARCHITECTS AND MARINE ENGINEERS		
PO BOX 66 (207) 563-3210 (THOMAS)		NEWCASTLE, ME 04553 (617) 308-1074 (GARRETT)
KNIFE EDGE DETAILS		
PROJECT: 102IN DREDGE DETAILS		
DRAWN BY: TMF	DATE: 04/01/21	
APPROVED BY: GJN	SCALE: 3/4" = 1'-0"	
DWG #: C-779-105	ALT: 0	